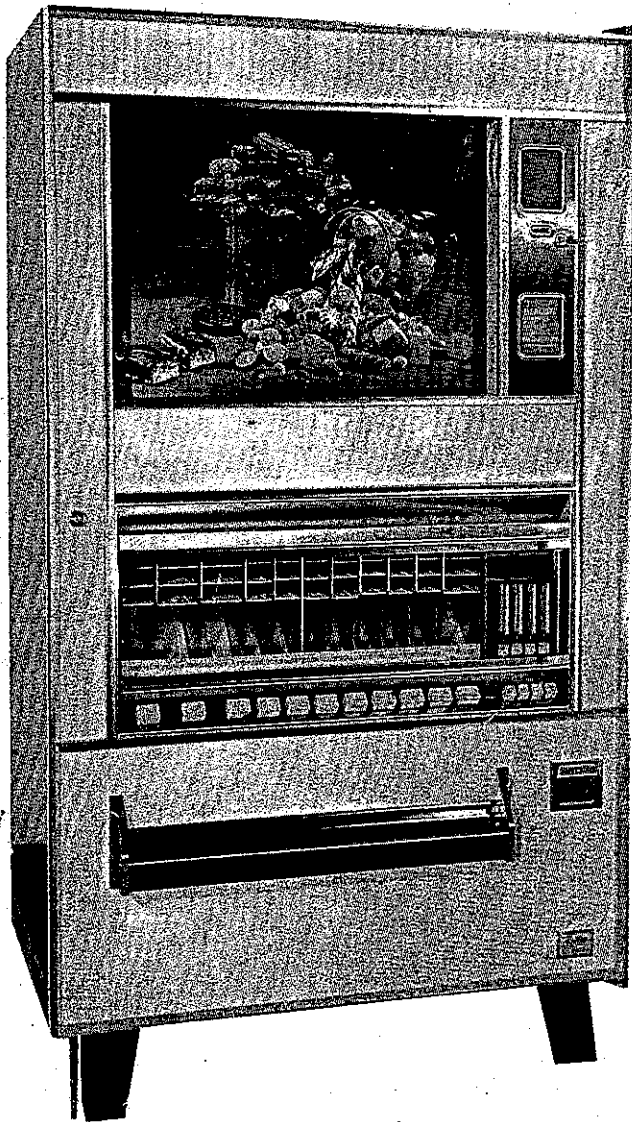


350-8023
*Lektro
Vend*

SERVICE AND PARTS MANUAL



MODELS
160 — 161
162 — 163
164 — 165
166

**VENDING
MACHINES**

LEKTRO-VEND CORP.

SHIPPING ADDRESS
911 WEST SULLIVAN ROAD
AURORA, ILLINOIS 60506
PHONE 312/896-8555

MAILING ADDRESS
P. O. BOX 649
AURORA, ILLINOIS 60507
PHONE 312/896-8555

TABLE OF CONTENTS

Figure	Page
Leveling Machine	2
Price Setting Selector	2
Installation of Door Lock	2
Operation Checkout	2
Mint Blockout Screw	3
Mint Column Spacers	3
Loading Machine	3
General Maintenance	4
Timing of Vending Unit	4
Machine Warranty	4
1 . . . Machine Final Assembly Models with Mint	6
2 . . . Machine Final Assembly Models without Mint	8
3 . . . Unit Assembly 10 Column Model 160	10
4 . . . Unit Assembly 6 Column Model 161	12
5 . . . Unit Assembly 5 Column Model 162	14
6 . . . Unit Assembly 8 Column Model 163	16
7 . . . Unit Assembly 6 Column Model 164	18
8 . . . Unit Assembly 11 Column Model 165	20
9 . . . Unit Assembly 5 Column Model 166	22
10 . . . Column Assembly 2" - 55	24
11 . . . Column Assembly 3"N-55	26
12 . . . Column Assembly 3"W-43	28
13 . . . Column Assembly 5"N-43	30
14 . . . Column Assembly 5"W-31	32
15 . . . Gum and Mint Assembly	34
16 . . . Drive Motor Assembly with Gum and Mint	36
17 . . . Drive Motor Assembly without Gum and Mint	37
18 . . . Pusher and Drive Bar Assembly	38
19 . . . Door Assembly - Standard	39
20 . . . Door Assembly - Deluxe	43
21 . . . Top Light Assembly	48
22 . . . Selector Assembly - All Models	49
23 . . . Junction Box Assembly	51
Notes	52

LEVELING MACHINE

Your machine is equipped with four legs and a leveling screw, one for each of the four legs. These screws are adjusted from outside the machine. Adjust these screws so that the machine is level and does not rock or teeter on any of the four legs.

After the machine has been located where desired and has been leveled, the door stabilizer rod (figures 19 and 20) must be adjusted. This rod is used to prevent the machine from tipping forward. To adjust this rod you must remove the two No. 1/4-20 x 1/2 hex head machine screws (No. 75 on fig. 19 and No. 76 on fig. 20). The rod (No. 74 on fig. 19 and No. 75 on fig. 20) can then slide up or down. The right adjustment is about 1/8 of an inch between the bottom of the rod and the floor. Once this has been reached, replace the two screws (No. 75 or No. 76).

PRICE SETTING SELECTOR

This machine sells merchandise at four different prices at one time ranging from 5¢ to \$1.00. The coin mechanism is set at the factory from 5¢, 10¢, 15¢ and 25¢ sales. These four prices may be changed. However, they must be modified in the changer also. These instructions are found in the Model 350 or 351 Changer Manual.

Each column has four separate price settings. These price settings are found on the back of the door (see figures 19 and 20). To change the price remove the No. 8-32 x 5/16 screw (No. 7 on fig. 19 and No. 17 on fig. 20) then slide off the price exchange cover (No. 6 on fig. 19 and No. 18 on fig. 20). In order to change the price, remove the wire from the unwanted terminal price and place it on the proper price terminal. The coin mechanism is shipped from the factory with price no. 1 corresponding to a 5¢ sale, price no. 2, 10¢, price no. 3, 15¢ and price no. 4, 25¢. Replace cover after changing the prices to prevent unauthorized people from changing the prices.

INSTALLATION OF DOOR LOCK

NOTE: In most cases the machine is shipped without the door lock assembled in the door. The lock, lock cam, link and all necessary hardware are located in a bag inside the shipping carton.

A temporary lock lift bar protrudes through lock hole in door. Lift bar upward to open door. After door is open, remove retaining ring, washer, and temporary lock lift bar. Place lock protecting washer (62, figures 1 and 2) on lock cylinder (62). Place lock through opening in door with keyway towards outer edge of door. Screw lock nut (62) onto lock cylinder and secure tightly in place. All parts shown in figures 1 and 2 are shown in the unlocked position. Assemble lock cam (63) onto lock shaft and secure in place with small lock washer and nut (62). Note that lock cam link (64) has a hole in each end. At one end, the hole is off center. This is the top hole which should fit over pin on lock cam (63). Be sure narrow side of lock cam link is toward outer edge of door. Place lock cam link (64) on lock cam and lock bar. Secure in place with lock cam link retainer (65). Place screw (8) in center hole to hold links in place. Using provided key, work lock back and forth a few times to be sure all parts are aligned properly and that lock bar is working properly before attempting to lock door.

OPERATION CHECKOUT

In the cash box of each machine there is an envelope containing 1 price sheet for each column. (66 figures 1 and 2). Separate each price card from price sheet by bending back and forth on scored line. The large price cards, ranging from 5¢ to 60¢, are for the shelf section of the machine. The smaller price cards, ranging from 5¢ to 15¢, are for the gum and mint section. Place the proper price card for the selected selling price in the display shelf channel (6, 7, 8 on figures 3, 4, 5, 6, 7 and 8) for the shelf section of the

machine, and channel (40, figure 19 and 57, figure 20) for the gum and mint section of the machine. Each price card should be centered in the desired column.

The machine should now be checked to be sure that all columns are set on the desired price.

- (1). Fill nickel payout tube in coin changer with nickels and place about four gum and mint items in each column.
- (2). Insert a quarter into machine and operate each column.
- (3). Check that correct change has been issued, corresponding to established selling price.
- (4). Use same procedure using dimes and nickels, inserting exact selling price for each column. Both checks will verify that each column is set on desired price, and also that coin changer is set on desired prices.
- (5). Run gum and mint section until it is sold out.
- (6). When gum and mint section is empty, column will not run, and when selector push button is pressed, the out light will light directly over gum and mint display. The same out light will light for any of the four depleted gum and mint columns. Candy sections do not have out lights because empty columns are visible.

MINT BLOCKOUT SCREW

Some brands of gum, other than Wrigleys, are contained in thinner packages, and their wrappers tend to stick together. This machine is made to handle all gum sizes including 10¢ gum and large 10¢ mint rolls. If two gum packages stick together, the unit may vend two packs at one time. This problem can be solved by installing blockout screw (48, figure 15) in tapped hole on right side of gum unit. This screw will hold back the second package of gum. However, this screw is effective only

on right-hand gum column. Never load this column with mint or 10¢ gum unless screw is removed.

MINT COLUMN SPACERS

This gum and mint unit will vend 5¢ or 10¢ gum and mint. It is shipped ready to vend 5¢ or 10¢ gum and 5¢ mint. (Mint 3 in. long and shorter.) To vend 10¢ mint (4 in. long mint), the mint column spacer for the column that is to be used must be removed. To remove the mint column spacer (4, figure 15), remove screw (49, figure 15). Then lift up and pull forward. To replace the mint column spacer (4, figure 15), hook the top over the back of the mint column and replace the screw (49, figure 15). This spacer must be in when vending 5¢ mint or 10¢ gum.

LOADING MACHINE

These machines have four gum and mint columns and will vend gum or mint from 2-1/2" to 4" long and up to 15/16" high. The shelf merchandise section has 10 columns in the 160, 6 columns in the 161, 5 columns no gum and mint in the 162, 8 columns in the 163, 6 columns no gum and mint in the 164, 11 columns in the 165 and 5 columns in the 166. There are 3 widths of shelves, the 2" shelf should never vend an item wider than 1-15/16", the 3" shelf never wider than 2-15/16" and the 5" shelf never vend an item wider than 4-15/16".

This machine sells the item displayed in the shelf section. Therefore, this eliminates the need for a display bar. Any column may be loaded with a variety of different types of merchandise as long as merchandise is the same price. Load machine from bottom display shelf and work upward in the front section. Load all front shelves, including 2 shelves going around the upper radius.

After front of unit has been loaded, swing unit out. To swing the unit out, release lever (52, figures 1 and 2) at the upper left hand corner

Lektro Vend

of the cabinet. The left hand side of the unit will then pivot outward about 90 degrees. This will enable you to load the back portion of the unit. In loading the back portion of the unit, start with two shelves at the top, taking care not to omit shelves that are on an angle at the top. All candy placed in rear section of unit must be placed on shelf with wrapper face down. This is done so that candy wrapper will be face up when it progresses over the top radius and down the front.

While unit is swung outward, gum and mint section can be filled; gum and mint section is located behind shelf section. Open gum and mint door and load gum and mint into desired columns. Do not mix gum or mint in the same column. Gum and mint column closest to shelf section of machine is designated No. 1. Then progress in order up to column No. 4, which is furthest away from shelf section. After filling gum and mint section, be sure to close gum and mint door before swinging unit back into cabinet, otherwise gum and mint may be dumped. However, if this detail is overlooked, door will close automatically when unit is swung back into cabinet.

The gum and mint display items are now placed into their proper location. The display must correspond to the gum and mint columns. With door open, gum and mint display is located on left side of the display area. The gum and mint display must be swung out (39, figure 19 and 50, figure 20). It is held in place by tension spring (93, 56). After placing gum and mint merchandise into the proper places in display area, close display door, taking care not to disturb display items. At rear of each display there is a clip (46, 55) which provides spring tension on side walls of display area. After closing gum and mint display door, observe four holes at rear of display door. Push a pencil through each one of these four holes. This will move clip (46, 55) forward, pressing display merchandise tightly against glass, thereby providing a better looking display.

GENERAL MAINTENANCE

FINISH. The finish of your LEKTRO-VEND Machine is a baked-on enamel, which will provide an attractive, long-wearing surface. This finish is similar to automobile finishes, and should be treated in the same manner. Every few months clean and wax the machine to prolong the life of the paint and enhance the appearance. All unpainted parts are anodized aluminum, chrome plated or stainless steel. Clean these parts with a damp cloth.

LUBRICATION. Lubricate all moving parts in the machine every six to twelve months, depending upon the use of the machine. Do not lubricate rollers. If it becomes necessary to replace any mechanism part in the machine, be sure to lubricate it before installing it. Lubriplate is the recommended lubricant. This lubricant will adhere to parts and does not tend to run. Oil can run and might get into the switches or other electrical parts and cause future problems.

TIMING OF VENDING UNIT

To check the timing of the machine you must do the following:

Look through hole 'A' in side of shelf unit, and observe drive assemblies for each shelf. Drive assemblies should be in such position that notches are visible through hole 'A', as shown in view 'A' of figures 3, 4, 5, 6, 7, and 8. At the same time, mint switch cam and mint switch roller should be positioned as shown in View 'B', figures 3, 4, 5, 6, 7, and 8. If shelf unit is out of time (not synchronized) with mint unit, it will cause a malfunction in shelf mechanism.

MACHINE WARRANTY

GENERAL WARRANTY. Equipment produced by the Lektro-Vend Corporation is guaranteed to be free from defects in workmanship and material, and will be replaced or repaired without charge when, upon inspection, items are found to be defective. Said

warranty to cover one year (12 months) from date of shipment. This warranty does not obligate us where parts or components have been injured by careless handling or improper application. This warranty is valid to the original purchaser only. The term original purchaser as used in this warranty will be deemed to be that person, firm, association or corporation to whom the machine referred to herein was sold originally.

ORDERING PROCEDURE. When ordering parts, the cabinet serial number and machine model number must accompany the order. This will help insure your obtaining the proper part. When ordering be sure to include the quantity desired, part number, and description of the part being ordered. All parts must be ordered from Lektro-Vend Corp., P.O. Box 649, Sullivan Road, Aurora, Illinois 60507. All parts will be shipped FOB Aurora, Illinois. Cost of transportation will be offset by credit if the defective part is still under warranty and is returned within 10 days. Any special handling such as Air Mail Shipment, must be paid by purchaser.

RETURNING DEFECTIVE PARTS. Defective parts must be returned to Lektro-Vend Corp., 911 West Sullivan Road, Aurora,

Illinois 60506, within 10 days after the receipt of the replacement part. If the part returned is found to be defective due to material or workmanship and is still under warranty, credit will be issued. If the defective part is not returned within 10 days it will automatically be assumed that the item has been purchased by the customer.

DAMAGE IN SHIPMENT. Upon receipt of your equipment, it is your responsibility to note any visible damage to the outside of the crate that might affect the contents. This must be reported to the delivering carrier. Upon removal of the crate, if hidden damage is found, this also must be reported to the delivering carrier. We cannot be held responsible for damages incurred to the equipment while in transit. It is your responsibility to report any damage incurred while in transit to the delivering carrier. We will assist you in every way possible. To obtain full benefit under the Lektro-Vend Corp. Warranty, be sure to furnish the cabinet serial number and model number when returning any parts, ordering parts, or in any other correspondence. When returning defective parts, always return them the most economical way, unless advised otherwise.

Lektro Vend

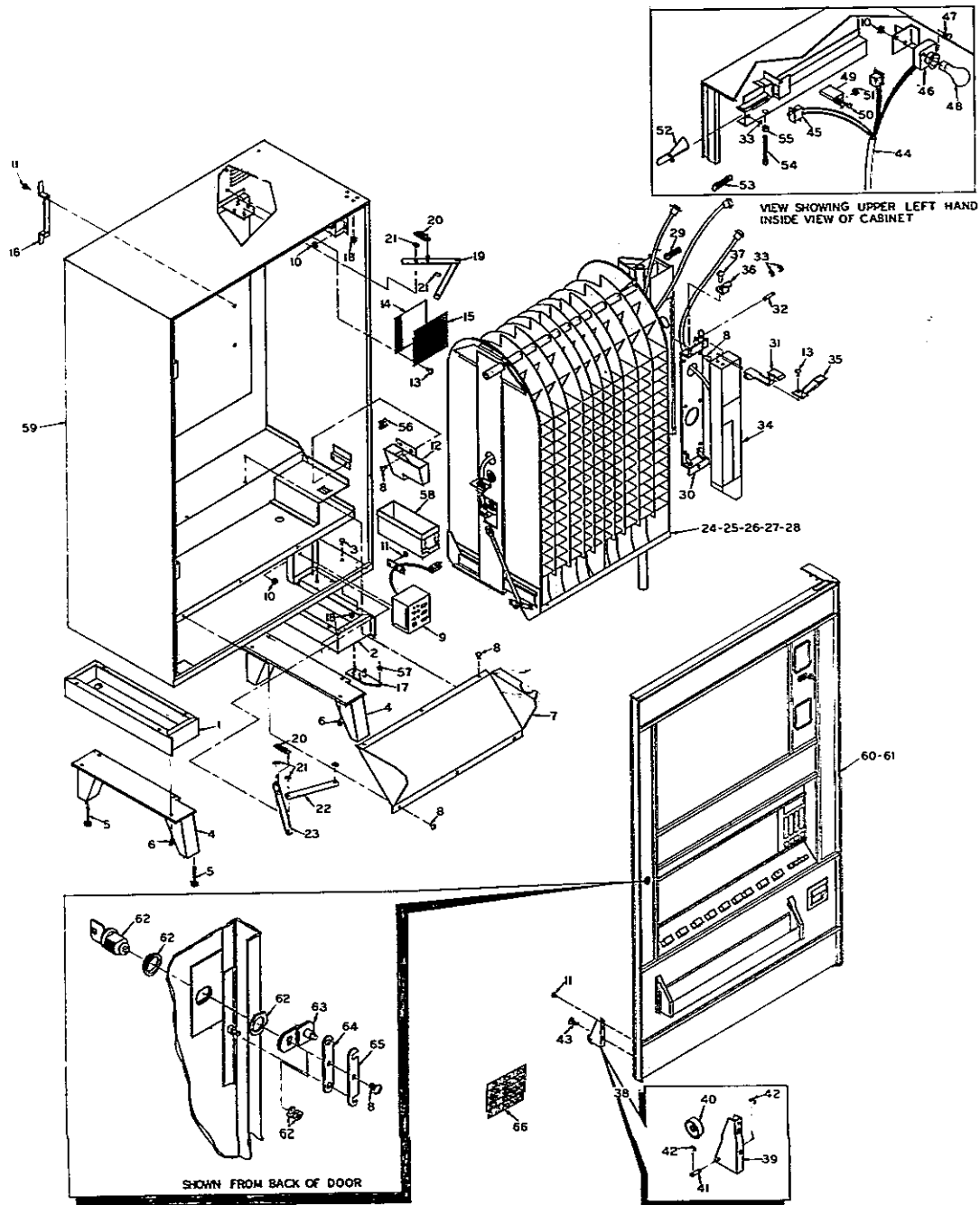


Figure 1 — MACHINE FINAL ASSEMBLY WITH MINT

INDEX NO.	PART NO.	DESCRIPTION	QTY. PER ASSEM.
1	150-5308	Left Hand Cabinet Extension Assembly	1
2	150-5307	Right Hand Cabinet Extension Assembly	1
3	S30C3118-12	Screw And Lock Washer 5/16-18 x 3/4	8
4	150-5311	Cabinet Leg Assembly	2
5	001-8007	Leveler	4

INDEX NO.	PART NO.	DESCRIPTION	QTY. PER ASSEM.
6	S30C3118-12	Screw And Lock Washer 5/16-18 x 3/4	8
7	160-5080	Delivery Tray Assembly	1
8	S20C832-5	Screw And Lock Washer 8-32 x 5/16	11
9	160-5160	Junction Box Assembly	1
10	N20C832	Nut And Lock Washer 8-32	13
11	S40C1016-6	Screw 10-16 x 3/8	5
12	400-5085	Return Chute Assembly	1
13	S20C832-4	Screw And Lock Washer 8-32 x 1/4	6
14	150-4332	Louver Screen	1
15	150-4331	Louver Cover	1
16	001-4294	Service Cord Holder	1
17	150-5315	Cabinet-Hinge Bottom	1
18	N20C2520	Nut And Lock Washer 1/2-20	8
19	160-5088	Stop Arm Assembly	1
20	150-7005	Tension Spring	2
21	R10K312X	Retaining Ring 5/16	5
22	160-4088	Outside Stop Arm	1
23	160-5085	Inside Stop Arm	1
24	160-5130	Unit Assembly — 10 Column	0 to 1
25	161-5050	Unit Assembly — 6 Column (With Mint)	0 to 1
26	163-5040	Unit Assembly — 8 Column	0 to 1
27	165-5055	Unit Assembly — 11 Column	0 to 1
28	166-5060	Unit Assembly — 5 Column (With Mint)	0 to 1
29	C10C250-38	Cotter Pin	1
30	160-5058	Mounting Bracket Weld Assembly	1
31	150-5299	Coin Return Lever Assembly	1
32	001-6090	Shaft	1
33	R10K250	Retaining Ring	3
34	351-5001	Coin Changer And Chute Assembly	1
35	150-5298	Lower Coin Receiver Assembly	1
36	150-4055	Retainer Bracket (Coinage)	1
37	S41C832-5	Screw 8-32 x 5/16	1
38	150-5244	Door Support Roller Assembly	1
39	150-4270	Door Support Roller Bracket	1
40	150-3020	Door Support Roller	1
41	001-6120	Pin (Door Support)	1
42	R10K250	Retaining Ring 1/4	2
43	S20C2520-8	Screw And Lock Washer 1/2-20 x 1/2	2
44	150-5016	Harness - Courtesy Lamp	1
45	150-8214	Switch Push Button	1
46	150-8029	Lamp Holder	1
47	S20C832-12	Screw And Lock Washer 8-32 x 3/4	1
48	150-8030	Incandescent Lamp - 40 W	1
49	160-4078	Switch Cover	1
50	S20C832-3	Screw And Lock Washer 8-32 x 3/16	1
51	D01-8021	Rubber Grommet	1
52	150-5150	Unit Lock Lever Assembly	1
53	150-7003	Tension Spring	1
54	150-8008	Adjusting Screw	1
55	N22C3716	Nut 3/8-16	1
56	400-8056	Wire Clamp 1/2	5
57	150-8252	Bottom Hinge Bearing	1 or 2
58	102-5187	Cash Box Assembly	1
59	160-5070	Cabinet Weld Assembly	1
60	160-5007	Door Assembly Stanard	0 or 1
61	160-5008	Door Assembly - Deluxe	0 or 1
62	112-8025	Van Lock And Key	1
63	112-5060	Lock Cam	1
64	001-4157	Lock Cam Link	1
65	001-4177	Lock Cam Link Retainer	1
66	001-8117	Price Card	5 to 11

Figure 1 — MACHINE FINAL ASSEMBLY WITH MINT

Lektro Vend

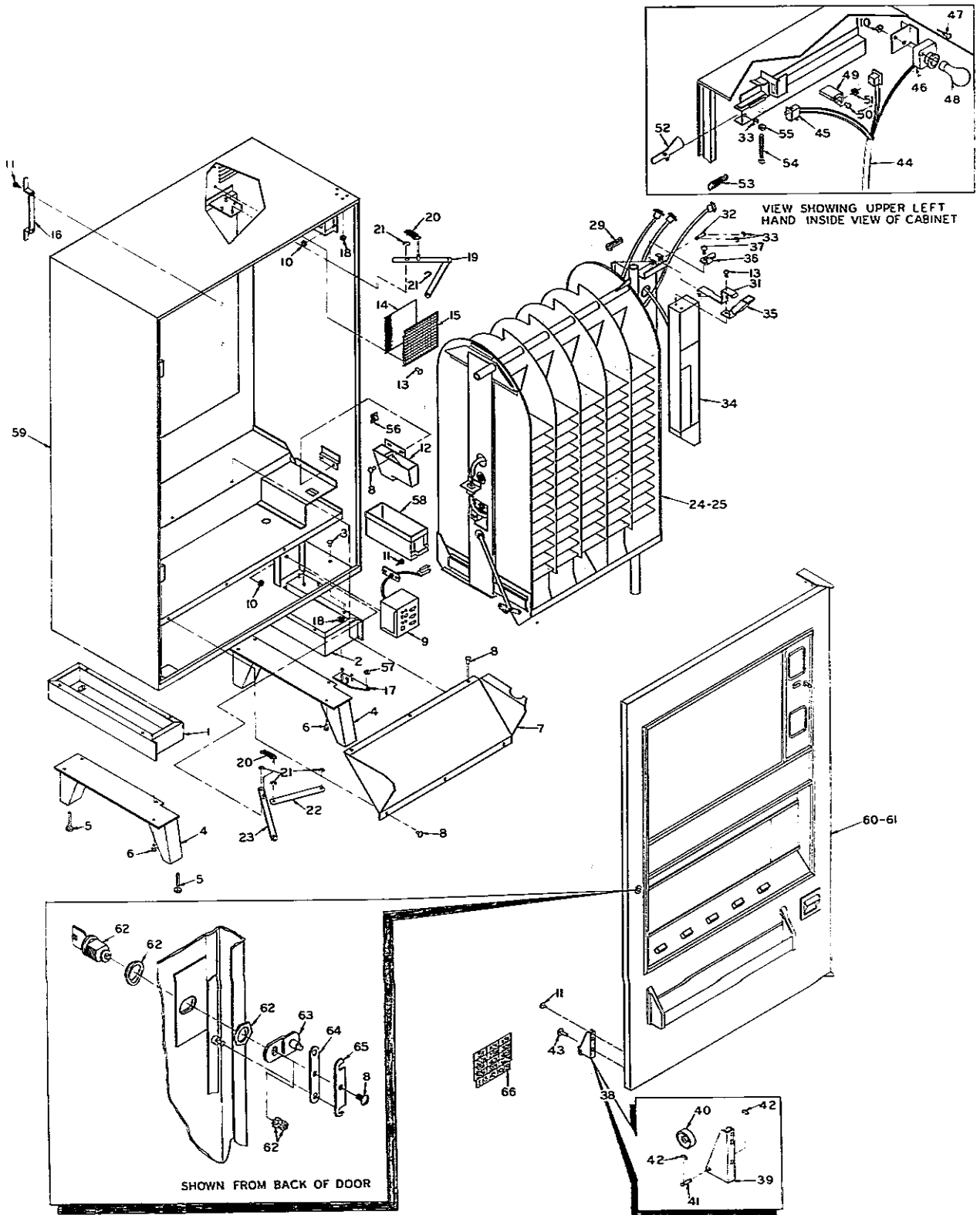


Figure 2 — MACHINE FINAL ASSEMBLY WITHOUT MINT

INDEX NO.	PART NO.	DESCRIPTION	QTY. PER ASSEM.
1	150-5308	Left Hand Cabinet Extension Assembly	1
2	150-5307	Right Hand Cabinet Extension Assembly	1
3	S30C3118-12	Screw And Lock Washer 5/16-18 x 3/4	8
4	150-5311	Cabinet Leg Assembly	2
5	001-8007	Leveler	4
6	S30C3118-12	Screw And Lock Washer 5/16-18 x 3/4	8
7	160-5080	Delivery Tray Assembly	1
8	S20C832-5	Screw And Lock Washer 8-32 5/16	8
9	160-5160	Junction Box Assembly	1
10	N20C832	Nut And Lock Washer 8-32	8
11	S40C1016-6	Screw 10-16 x 3/8	5
12	400-5085	Return Chute Assembly	1
13	S20C832-4	Screw And Lock Washer 8-32 x 1/4	6
14	150-4332	Louver Screen	1
15	150-4331	Louver Cover	1
16	001-4294	Service Cord Holder	1
17	150-5315	Cabinet Hinge Bottom	1
18	N20C2520	Nut And Lock Washer 1/2-20	8
19	160-5088	Stop Arm Assembly	1
20	150-7005	Tension Spring	2
21	R10K312X	Retaining Ring 5/16	5
22	160-4088	Outside Stop Arm	1
23	160-5085	Inside Stop Arm	1
24	162-5060	Unit Assembly — 5 Column (No Mint)	0 to 1
25	164-5054	Unit Assembly — 6 Column (No Mint)	0 to 1
29	C10C250-38	Cotter Pin	1
31	150-5299	Coin Return Lever Assembly	1
32	001-6090	Shaft	1
33	R10K250	Retaining Ring 1/4	3
34	351-5001	Coin Changer And Chute Assembly	1
35	150-5298	Lower Coin Receiver Assembly	1
36	150-4055	Retainer Bracket (Coinage)	1
37	S41C832--5	Screw 8-32 x 5/16	1
38	150-5244	Door Support Roller Assembly	1
39	150-4270	Door Support Roller Bracket	1
40	150-3020	Door Support Roller	1
41	001-6120	Pin (Door Support)	1
42	R10K250	Retaining Ring 1/4	2
43	S20C2520-8	Screw And Lock Washer 1/2-20 x 1/2	2
44	150-5016	Harness - Courtesy Lamp	1
45	150-8214	Switch - Push Button	1
46	150-8029	Lamp Holder	1
47	S20C832-12	Screw And Lock Washer 8-32 x 3/4	2
48	150-8030	Incandescent Lamp - 40 W	1
49	160-4078	Switch Cover	1
50	S20C832-3	Screw And Lock Washer 8-32 x 3/16	1
51	001-8021	Rubber Grommet	1
52	150-5158	Unit Lock Lever Assembly	1
53	150-7003	Tension Spring	1
54	150-8008	Adjusting Screw	1
55	N22C3716	Nut 3/8-16	1
56	400-8056	Wire Clamp 1/2	5
57	150-8252	Bottom Hinge Bearing	1 or 2
58	102-5187	Cash Box Assembly	1
59	160-5070	Cabinet Weld Assembly	1
60	162-5007	Door Assembly - Standard	0 to 1
61	162-5008	Door Assembly - Deluxe	0 to 1
62	112-8025	Van Lock And Key	1
63	112-5060	Lock Cam	1
64	001-4157	Lock Cam Link	1
65	001-4177	Lock Cam Link Retainer	1
66	001-8117	Price Card	5 or 6

Figure 2 —MACHINE FINAL ASSEMBLY WITHOUT MINT

Lektro Vend

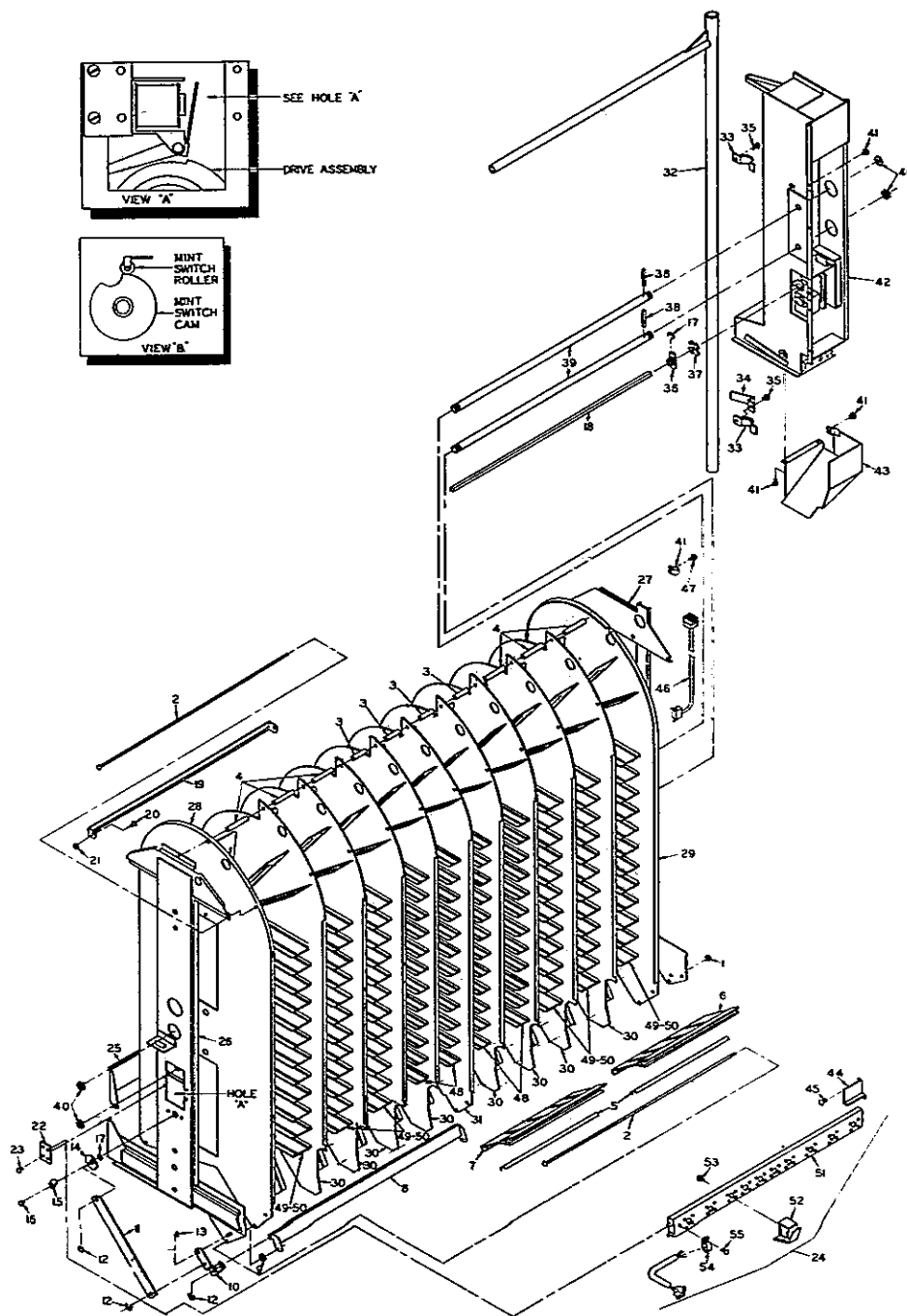


Figure 3 — UNIT ASSEMBLY — 10 COLUMN

INDEX NO.	PART NO.	DESCRIPTION	QTY. PER ASSEM.
1	N20C1032	Nut And Lock Washer 10-32	5
2	150-8010	Screw 10-32 x 25-3/8	5
3	001-6034	Column Spacer 2"	12
4	001-6035	Column Spacer 3"	18

INDEX NO.	PART NO.	DESCRIPTION	QTY. PER ASSEM.
5	160-4114	Display Shelf Reinforcement	2
6	160-3002	Display Shelf Right Hand	1
7	160-3003	Display Shelf Left Hand	1
8	160-5128	Torsion Bar	1
9	001-6018	Spacer	2
10	160-5126	Drive Link Assembly	1
11	160-5124	Drive Arm Assembly	1
12	R10K250	Retainer Ring 1/4	3
13	R10K312X	Retainer Ring 5/16	1
14	160-5123	Drive Cam Assembly	1
15	160-4147	Shaft Retainer (Unit Anti-Cheat)	1
16	S20C832-4	Screw And Lock Washer 8-32 x 1/4	1
17	R13K562	Retainer Ring 9/16	2
18	160-6003	Drive Shaft	1
19	160-4117	Spacer Bar 26-9/64	1
20	S11C832-5	Screw 8-32 x 5/16	2
21	N20C832	Nut And Lock Washer 8-32	2
22	160-4123	Left Hand Support - Relay Channel	1
23	S20C1032-5	Screw And Lock Washer 10-32 x 5/16	2
24	160-5132	Unit Extension Wiring Harness	1
25	160-4130	Stop Plate Rear	1
26	160-5106	Channel Assembly — Left Hand	1
27	160-5105	Channel Assembly — Right Hand	1
28	160-4106	Unit Side — Left Hand	1
29	160-4105	Unit Side — Right Hand	1
30	160-4134	Column Side	8
31	160-4133	Center Spacer (Column)	1
32	160-5107	Pivot Post Assembly	1
33	160-4120	Unit Clamps	5
34	160-4366	Gum Deflector	1
35	S30C2520-6	Screw And Lock Washer 1/2-20 x 3/8	5
36	150-5416	Coupling And Drive Bushing Assembly	1
37	150-4035	Coupling Plate	1
38	P10K250-28	Roll Pin 1/4 x 1-3/4	2
39	150-6002	Tube 27-5/16 Long	2
40	001-8005	3/4 Hex Nut	4
41	S20C832-5	Screw And Lock Washer 8-32 x 5/16	6
42	160-5090	Mint Unit Assembly	1
43	160-5093	Mint Chute Assembly	1
44	160-4132	Guide Bracket — Relay Channel	1
45	S40C620-3	Screw 6-20 x 3/16	3
46	165-5133	Unit Extension Wiring Harness	1
47	001-8017	Wire Clamp 1/2	1
48	160-5120	Column Assembly 2" -55	4
49	160-5121	Column Assembly 3" -55	0 to 6
50	160-5122	Column Assembly 3" -43	0 to 6
51	160-5131	Relay Channel Assembly	1
52	001-5479	Relay Assembly	10
53	S20C832-4	Screw And Lock Washer 8-32 x 1/4	20
54	001-8017	Wire Clamp 1/2	1
55	S40C1016-6	Screw 10-16 x 3/8	1

Figure 3 — UNIT ASSEMBLY — 10 COLUMN

Lektro Vend

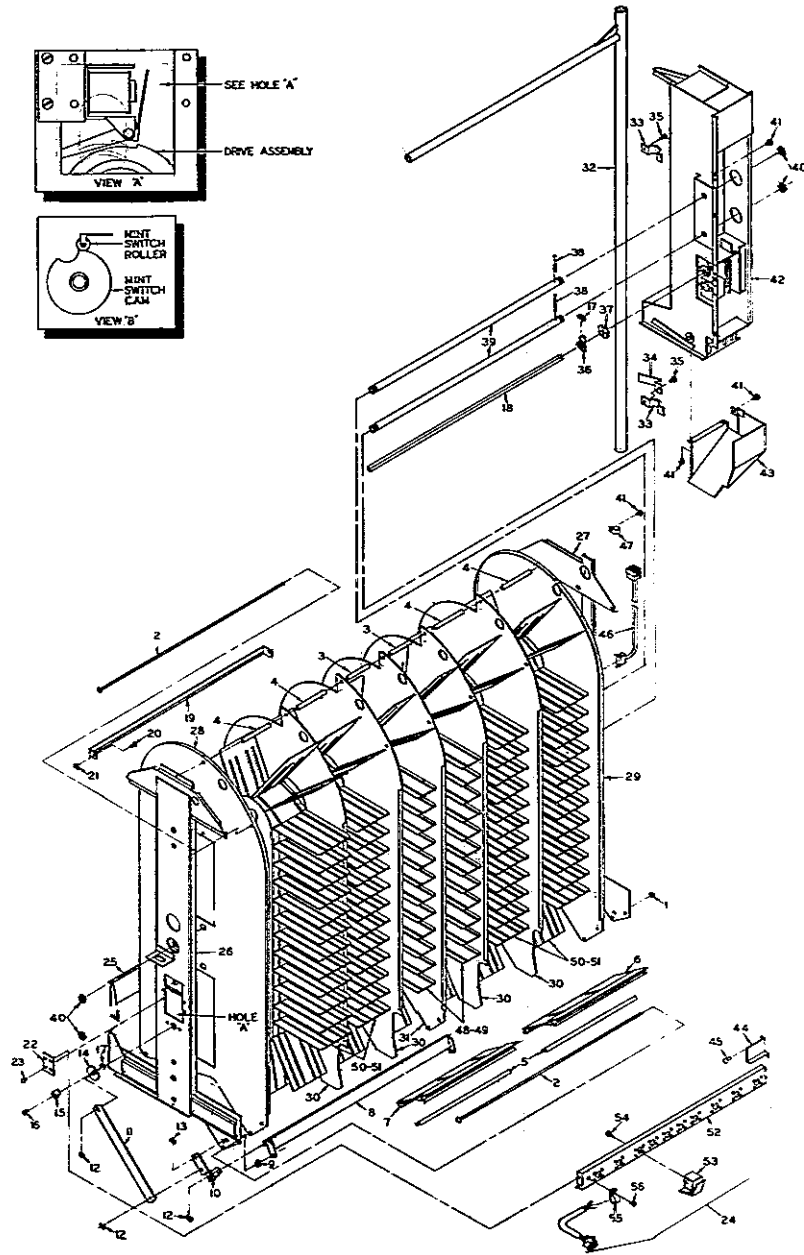


Figure 4 — UNIT ASSEMBLY — 6 COLUMN

INDEX NO.	PART NO.	DESCRIPTION	QTY. PER ASSEM.
1	N20C1032	Nut And Lock Washer 10-32	5
2	150-8010	Screw 10-32 x 26-3/8	5
3	001-6035	Column Spacer 3"	6
4	001-6036	Column Spacer 5"	12
5	160-4114	Display Shelf Reinforcement	2

INDEX NO.	PART NO.	DESCRIPTION	QTY. PER ASSEM.
6	161-3002	Display Shelf - Right Hand	1
7	161-3003	Display Shelf - Left Hand	1
8	160-5128	Torsion Bar	1
9	001-6018	Spacer	2
10	160-5126	Drive Link Assembly	1
11	160-5124	Drive Arm Assembly	1
12	R10K250	Retainer Ring 1/4	3
13	R10K312X	Retainer Ring 5/16	1
14	160-5123	Drive Cam Assembly	1
15	160-4147	Shaft Retainer (Unit Anti-Cheat)	1
16	S20C832-4	Screw And Lock Washer 8-32 x 1/4	1
17	R13K562	Retainer Ring 9/16	2
18	160-6003	Drive Shaft	1
19	160-4117	Spacer Bar 26-9/64	1
20	S11C832-5	Screw 8-32 x 5/16	2
21	N20C832	Nut And Lock Washer No. 8-32	2
22	160-4123	Left Hand Support - Relay Channel	1
23	S20C1032-5	Screw And Lock Washer 10-32 x 5/16	2
24	161-5132	Unit Wiring Harness Assembly	1
25	160-4130	Stop Plate - Rear	1
26	160-5106	Channel Assembly - Left Hand	1
27	160-5105	Channel Assembly - Right Hand	1
28	160-4106	Unit Side - Left Hand	1
29	160-4105	Unit Side - Right Hand	1
30	160-4134	Column Side	4
31	160-4133	Center Spacer (Column)	1
32	160-5107	Pivot Post Assembly	1
33	160-4120	Unit Clamp	5
34	150-4366	Gum Deflector	1
35	S30C2520-6	Screw And Lock Washer 1/2-20 x 3/8	5
36	150-5416	Coupling And Drive Bushing Assembly	1
37	150-4035	Coupling Plate	1
38	P10K250-28	Roll Pin 1/4 x 1-3/4	2
39	150-6002	Tube 27-5/16 Long	2
40	001-8005	3/4 Hex. Nut	4
41	S20C832-5	Screw And Lock Washer 8-32 x 5/16	6
42	160-5090	Mint Unit Assembly	1
43	160-5093	Mint Chute Assembly	1
44	160-4132	Guide Bracket — Relay Channel	1
45	S40C620-3	Screw 6-20 x 3/16	3
46	165-5133	Unit Extension Wiring Harness	1
47	001-8018	Wire Clamp 5/8	1
48	160-5121	Column Assembly 3" -55	0 to 2
49	160-5122	Column Assembly 3" -43	0 to 2
50	162-5050	Column Assembly 5" -43	0 to 4
51	162-5051	Column Assembly 5" -31	0 to 4
52	161-5131	Relay Channel Assembly	1
53	001-5479	Relay Assembly	6
54	S20C832-4	Screw And Lock Washer 8-32 x 1/4	12
55	001-8008	Wire Clamp 3/8	1
56	S40C1016-6	Screw 10-16 x 3/8	1

Figure 4 — UNIT ASSEMBLY — 6 COLUMN

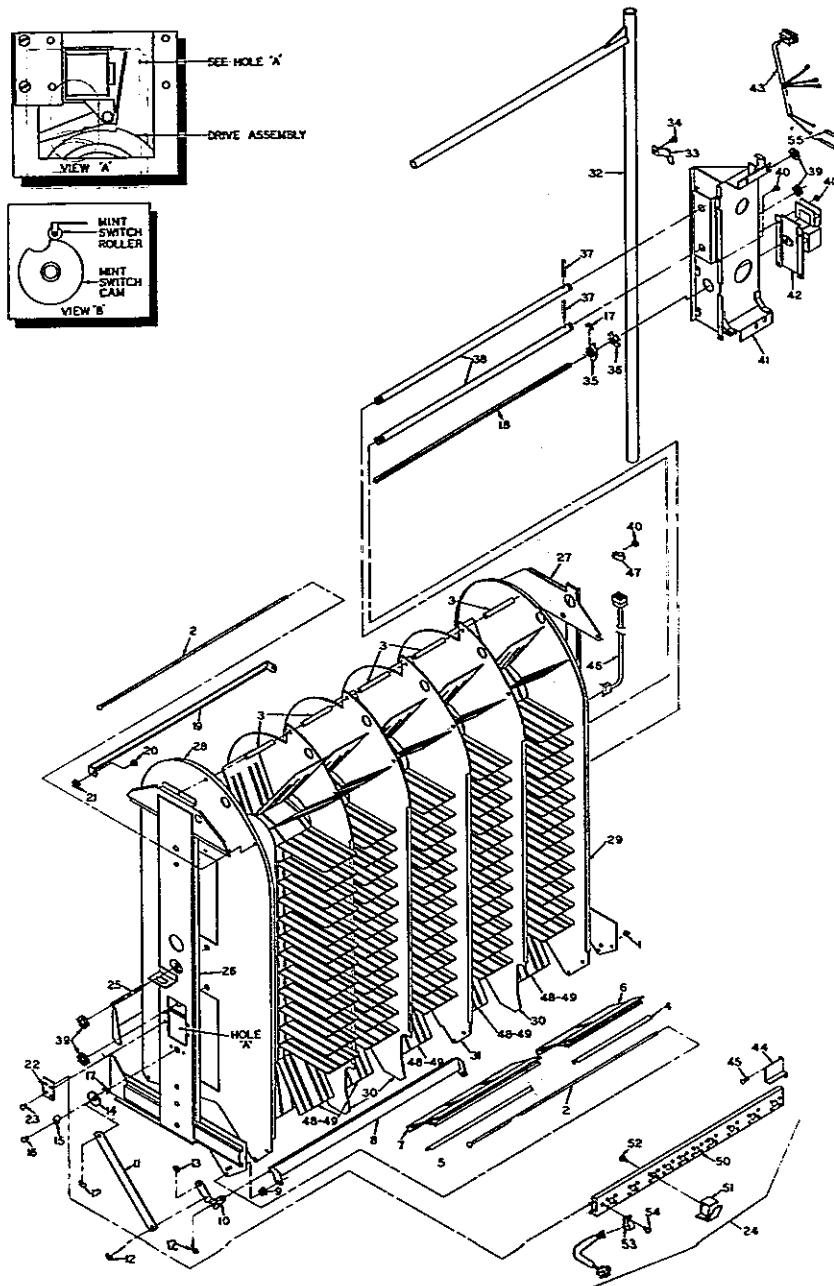


Figure 5 — UNIT ASSEMBLY — 5 COLUMN

INDEX NO.	PART NO.	DESCRIPTION	QTY. PER ASSEM.
1	N20C1032	Nut And Lock Washer No. 10-32	5
2	152-8010	Screw 10-32 x 25-3/8	5
3	001-6036	Column Spacer 5"	15
4	162-4013	Display Shelf Reinforcement (Long)	1
5	162-4014	Display Shelf Reinforcement (Short)	1

INDEX NO.	PART NO.	DESCRIPTION	QTY. PER ASSEM.
6	162-3006	Display Shelf - Left Hand	1
7	162-3005	Display Shelf - Right Hand	1
8	162-5057	Torsion Bar	1
9	001-6018	Spacer	2
10	160-5126	Drive Link Assembly	1
11	160-5124	Drive Arm Assembly	1
12	R10K250	Retainer Ring 1/4	3
13	R10K312X	Retainer Ring 5/16	1
14	160-5123	Drive Cam Assembly	1
15	160-4147	Shaft Retainer (Unit Anti-Cheat)	1
16	S20C832-4	Screw And Lock Washer 8-32 x 1/4	1
17	R13K562	Retainer Ring 9/16	2
18	162-6003	Drive Shaft	1
19	162-4117	Spacer Bar 25-9/64	1
20	S11C832-5	Screw 8-32 x 5/16	2
21	N20C832	Nut And Lock Washer 8-32	2
22	160-4123	Left Hand Support —Relay Channel	1
23	S20C1032-5	Screw And Lock Washer 10-32 x 5/16	2
24	162-5132	Unit Wiring Harness Assembly	1
25	162-4033	Stop Plate - Rear	1
26	160-5106	Channel Assembly - Left Hand	1
27	160-5105	Channel Assembly - Right Hand	1
28	160-4106	Unit Side - Left Hand	1
29	160-4105	Unit Side - Right Hand	1
30	160-4134	Column Side	3
31	160-4133	Center Spacer (Column)	1
32	160-5107	Pivot Post Assembly	1
33	160-4120	Unit Clamp	5
34	S30C2520-6	Screw And Lock Washer 1/2-20 x 3/8	5
35	150-5416	Coupling And Drive Bushing Assembly	1
36	150-4035	Coupling Plate	1
37	R10K250-28	Roll Pin 1/4 x 1-3/4	2
38	152-6002	Tube 26-5/16" Long	2
39	001-8005	3/4 Hex Nut	4
40	S20C832-5	Screw And Lock Washer 8-32 x 5/16	7
41	162-5067	Motor And Changer Support	1
42	162-5065	Motor And Switch Assembly	1
43	162-5066	Motor Wiring Harness Assembly	1
44	160-4132	Guide Bracket - Relay Channel	1
45	S40C620-3	Screw 6-20 x 3/16	3
46	165-5133	Unit Extension Wiring Harness	1
47	001-8018	Wire Clamp 5/8	1
48	162-5050	Column Assembly 5" -42	0 to 5
49	162-5051	Column Assembly 5" -31	0 to 5
50	162-5131	Relay Channel Assembly	1
51	001-5479	Relay Assembly	5
52	S20C832-4	Screw And Lock Washer 8-32 x 1/4	10
53	001-8008	Wire Clamp 3/8	1
54	S40C1016-6	Screw 10-16 x 3/8	1
55	001-8049	Disconnect Splice	2

Figure 5 —UNIT ASSEMBLY — 5 COLUMN

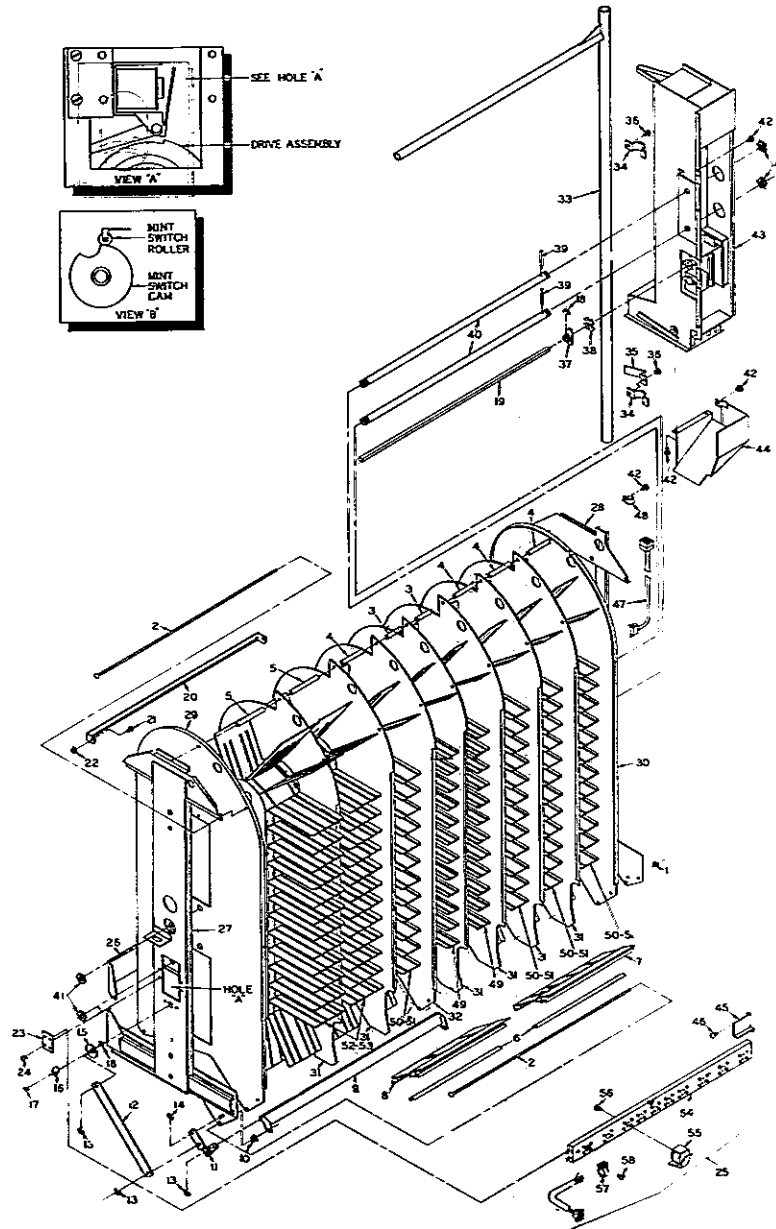


Figure 6 — UNIT ASSEMBLY — 8 COLUMN

INDEX NO.	PART NO.	DESCRIPTION	QTY. PER ASSEM.
1	N20C1032	Nut And Lock Washer 10-32	5
2	150-8010	Screw 10-32 x 26-3/8	5
3	001-6034	Column Spacer 2"	6
4	001-6035	Column Spacer 3"	12
5	001-6036	Column Spacer 5"	6
6	160-4114	Display Shelf Reinforcement	2
7	160-3002	Display Shelf - Right Hand	1

INDEX NO.	PART NO.	DESCRIPTION	QTY. PER ASSEM.
8	161-3003	Display Shelf - Left Hand	1
9	160-5128	Torsion Bar	1
10	001-6018	Spacer	2
11	160-5124	Drive Arm Assembly	1
12	160-5126	Drive Link Assembly	1
13	R10K250	Retainer Ring 1/4	3
14	R10K312X	Retainer Ring 5/16	1
15	160-5123	Drive Cam Assembly	1
16	160-4147	Shaft Retainer (Unit Anti-Cheat)	1
17	S20C832-4	Screw And Lock Washer 8-32 x 1/4	1
18	R13K562	Retainer Ring 9/16	2
19	160-6003	Drive Shaft	1
20	160-4117	Spacer Bar 26-9/64	1
21	S11C832-5	Screw 8-32 x 5/16	2
22	N20C832	Nut And Lock Washer 8-32	2
23	160-4123	Left Hand Support Channel	1
24	S20C1032-5	Screw And Lock Washer 10-32 x 5/16	2
25	163-5132	Unit Wiring Harness Assembly	1
26	160-4130	Stop Plate - Rear	1
27	160-5106	Channel Assembly - Left Hand	1
28	160-5105	Channel Assembly - Right Hand	1
29	160-4106	Unit Side - Left Hand	1
30	160-4103	Unit Side - Right Hand	1
31	160-4134	Column Side	1
32	160-4133	Center Spacer (Column)	1
33	160-5107	Pivot Post Assembly	1
34	160-4120	Unit Clamp	5
35	150-4366	Gum Deflector	1
36	S30C2520-6	Screw And Lock Washer 1/4-20 x 3/8	5
37	150-5416	Coupling And Drive Bushing Assembly	1
38	150-4035	Coupling Plate	1
39	P10K250	Roll Pin 1/4 x 1-3/4	2
40	150-6002	Tube 27-5/16 Long	2
41	001-8005	3/4 Hex Nut	4
42	S20C832-5	Screw And Lock Washer 8-32 x 5/16	6
43	160-5090	Mint Unit Assembly	1
44	160-5093	Mint Chute Assembly	1
45	160-4132	Guide Bracket Relay Channel	1
46	S40C620-3	Screw 6-20 x 3/16	3
47	165-5133	Unit Extension Wiring Harness	1
48	001-8018	Wire Clamp 5/8	1
49	160-5120	Column Assembly 2" -55	2
50	160-5121	Column Assembly 3" - 55	0 to 4
51	160-5122	Column Assembly 3" -43	0 to 4
52	162-5050	Column Assembly 5" -43	0 to 2
53	162-5051	Column Assembly 5" -31	0 to 2
54	163-5131	Relay Channel Assembly	1
55	001-5479	Relay Assembly	8
56	S20C832-4	Screw And Lock Washer 8-32 x 1/4	16
57	001-8017	Wire Clamp 1/2	1
58	S40C1016-6	Screw 10-16 x 3/8	1

Figure 6 — UNIT ASSEMBLY — 8 COLUMN

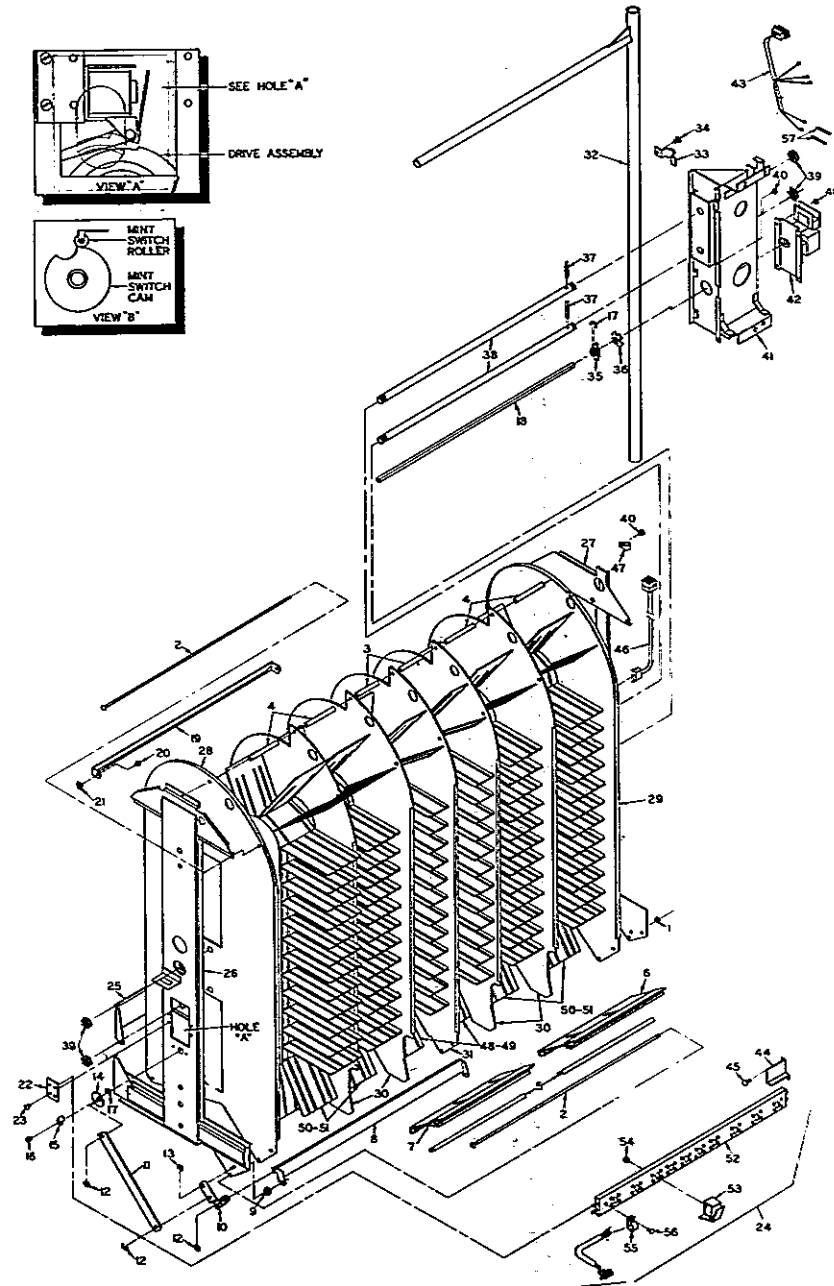


Figure 7 — UNIT ASSEMBLY — 6 COLUMN

INDEX NO.	PART NO.	DESCRIPTION	QTY. PER ASSEM.
1	N20C1032	Nut And Lock Washer 10-32	5
2	150-8010	Screw 10-32 x 26-3/8	5
3	001-6035	Column Spacer 3"	6
4	001-6036	Column Spacer 5"	12
5	160-4114	Display Shelf Reinforcement	2
6	161-3002	Display Shelf Right Hand	1
7	161-3003	Display Shelf Left Hand	1

INDEX NO.	PART NO.	DESCRIPTION	QTY. PER ASSEM.
8	160-5128	Torsion Bar	1
9	001-6018	Spacer	2
10	160-5126	Drive Link Assembly	1
11	160-5124	Drive Arm Assembly	1
12	R10K250	Retainer Ring 1/4	3
13	R10K312X	Retainer Ring 5/16	1
14	160-5123	Drive Cam Assembly	1
15	160-4147	Shaft Retainer (Unit Anti-Cheat)	1
16	S20C832-4	Screw And Lock Washer 8-32 x 1/4	1
17	R13K562	Retainer Ring	2
18	160-6003	Drive Shaft	1
19	160-4117	Spacer Bar 26-9/64	1
20	S11C832-5	Screw 8-32 x 5/16	2
21	N20C832	Nut And Lock Washer 8-32	2
22	160-4123	Left Hand Support - Relay Channel	1
23	S20C1032-5	Screw And Lock Washer 10-32 x 5/16	2
24	161-5132	Unit Wiring Harness Assembly	1
25	160-4130	Stop Plate - Rear	1
26	160-5106	Channel Assembly - Left Hand	1
27	160-5105	Channel Assembly - Right Hand	1
28	160-4106	Unit Side - Left Hand	1
29	160-4105	Unit Side - Right Hand	1
30	160-4134	Column Side	4
31	160-4133	Center Spacer (Column)	1
32	160-5107	Pivot Post Assembly	1
33	160-4120	Unit Clamp	5
34	S30C2520-6	Screw And Lock Washer 1/4-20 x 3/8	5
35	150-5416	Coupling And Drive Bushing Assembly	1
36	150-4035	Coupling Plate	1
37	P10K250-28	Roll Pin 1/4 x 1-3/4	2
38	150-6002	Tube 27-5/16 Long	2
39	001-8005	3/4 Hex Nut	4
40	S20C832-5	Screw And Lock Washer 8-32 x 5/16	7
41	162-5067	Motor And Changer Support	1
42	162-5065	Motor And Switch Assembly	1
43	162-5066	Motor Wiring Harness Assembly	1
44	160-4132	Guide Bracket — Relay Channel	1
45	S40C620-3	Screw 6-20 x 3/16	3
46	165-5133	Unit Extension Wiring Harness	1
47	001-8017	Wire Clamp 1/2"	1
48	160-5121	Column Assembly 2" -55	0 to 2
49	160-5122	Column Assembly 3" -43	0 to 2
50	162-5050	Column Assembly 5" -43	0 to 4
51	162-5051	Column Assembly 5" -31	0 to 4
52	161-5131	Relay Channel Assembly	1
53	001-5479	Relay Assembly	6
54	S20C832-4	Screw And Lock Washer 8-32 x 1/4	12
55	001-8008	Wire Clamp 3/8	1
56	S40C1016-6	Screw 10-16 x 3/8	1
57	001-8049	Disconnect Splice	2

Figure 7 — UNIT ASSEMBLY — 6 COLUMN

Lekro Vend

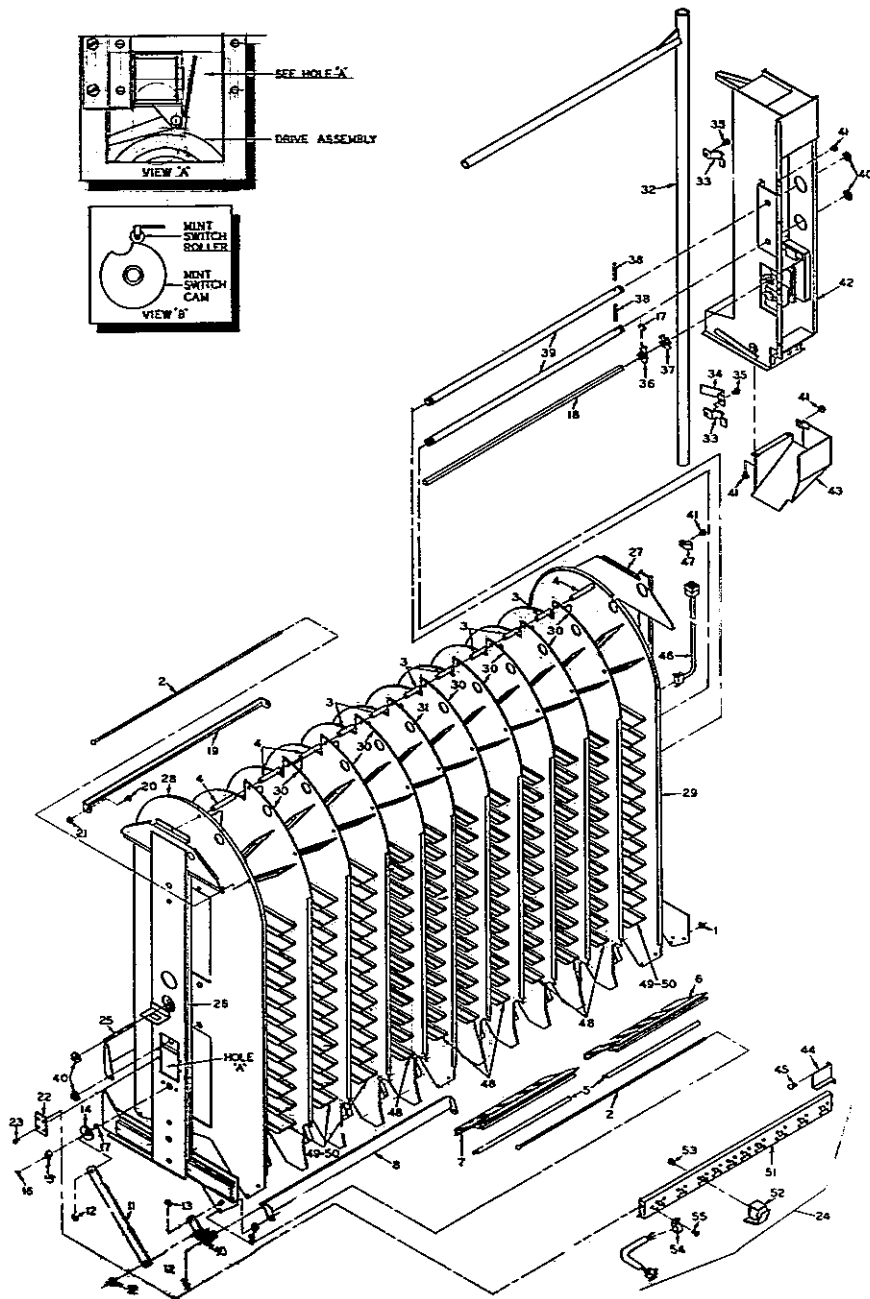


Figure 8 — UNIT ASSEMBLY — 11 COLUMN

INDEX NO.	PART NO.	DESCRIPTION	QTY. PER ASSEM.
1	N20C1032	Nut And Lock Washer 10-32	5
2	150-8010	Screw 10-32 x 25-3/8	5
3	001-6034	Column Spacer 2"	21
4	001-6035	Column Spacer 3"	12
5	160-4114	Display Shelf Reinforcement	2

INDEX NO.	PART NO.	DESCRIPTION	QTY. PER ASSEM.
6	165-3000	Display Shelf Right Hand	1
7	160-3003	Display Shelf Left Hand	1
8	160-5128	Torsion Bar	1
9	001-6018	Spacer	2
10	160-5126	Drive Link Assembly	1
11	160-5124	Drive Arm Assembly	1
12	R10K250	Retainer Ring 1/4	3
13	R10K312X	Retainer Ring 5/16	1
14	160-5123	Drive Cam Assembly	1
15	160-4147	Shaft Retainer (Unit Anti-Cheat)	1
16	S20C832-4	Screw And Lock Washer 8-32 x 1/4	1
17	R13K562	Retaining Ring 9/16	2
18	160-6003	Drive Shaft	1
19	160-4117	Spacer Bar 26-9/64	1
20	S11C832-5	Screw 8-32 x 5/16	2
21	N20C832	Nut And Lock Washer 8-32	2
22	160-4123	Left Hand Support — Relay Channel	1
23	S20C1032-5	Screw And Lock Washer 10-32 x 5/16	2
24	165-5132	Unit Wiring Harness Assembly	1
25	160-4130	Stop Plate - Rear	1
26	160-5106	Channel Assembly - Left Hand	1
27	160-5105	Channel Assembly - Right Hand	1
28	160-4106	Unit Side - Left Hand	1
29	160-4105	Unit Side - Right Hand	1
30	160-4134	Column Side	9
31	160-4133	Center Spacer (Column)	1
32	160-5107	Pivot Post Assembly	1
33	160-4120	Unit Clamp	5
34	150-4366	Gum Deflector	1
35	S30C2520-6	Screw And Lock Washer 1/4-20 x 3/8	5
36	150-5416	Coupling And Drive Bushing Assembly	1
37	150-4035	Coupling Plate	1
38	P10K250-28	Roll Pin 1/4 x 1-3/4	2
39	150-6002	Tube 27-5/16 Long	2
40	001-8005	3/4 Hex Nut	4
41	S20C832-5	Screw And Lock Washer 8-32 x 5/16	6
42	160-5090	Mint Unit Assembly	1
43	160-5093	Mint Chute Assembly	1
44	160-4132	Guide Bracket — Relay Channel	1
45	S40C620-3	Screw 6-20 x 3/16	3
46	165-5133	Unit Extension Wiring Harness	1
47	001-8017	Wire Clamp	1
48	160-5120	Column Assembly 2" -55	7
49	160-5121	Column Assembly 3" -55	4 to 0
50	160-5122	Column Assembly 3" -43	4 to 0
51	165-5131	Relay Channel Assembly	1
52	001-5479	Relay Assembly	11
53	S20C832-4	Screw And Lock Washer 8-32 x 1/4	22
54	001-8017	Wire Clamp 1/2	1
55	S40C1016-6	Screw 10-16 x 3/8	1

Figure 8 — UNIT ASSEMBLY — 11 COLUMN

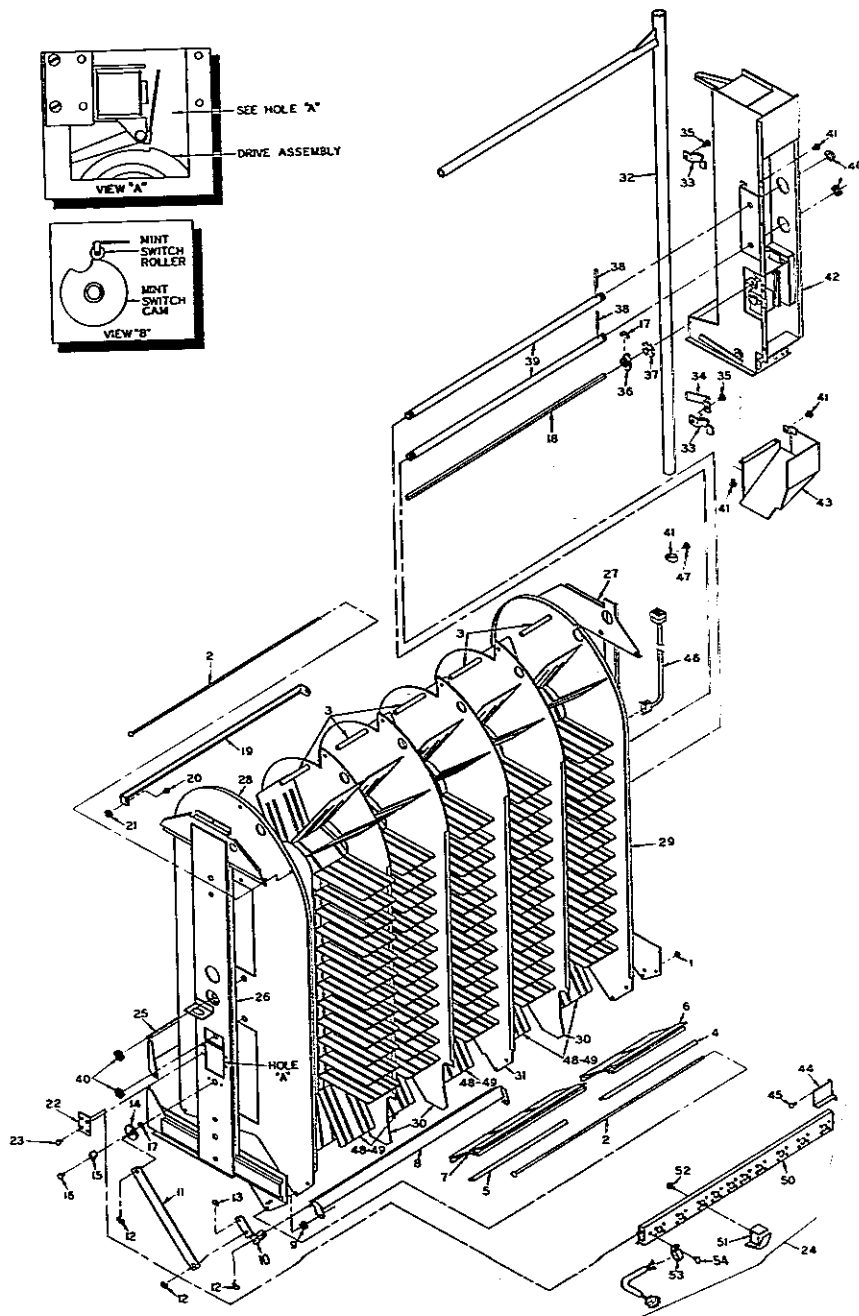


Figure 9 — UNIT ASSEMBLY — 5 COLUMN

INDEX NO.	PART NO.	DESCRIPTION	QTY. PER ASSEM.
1	N20C1032	Nut And Lock Washer 10-32	5
2	152-8010	Screw 10-32 x 25-3/8	5
3	001-6036	Column Spacer 5"	15
4	162-4014	Display Shelf Reinforcement (Short)	1

INDEX NO.	PART NO.	DESCRIPTION	QTY. PER ASSEM.
5	162-4013	Display Shelf Reinforcement (Long)	1
6	162-3005	Display Shelf Right Hand	1
7	162-3006	Display Shelf Left Hand	1
8	162-5057	Torsion Bar	1
9	001-6018	Spacer	2
10	160-5126	Drive Link Assembly	1
11	160-5124	Drive Arm Assembly	1
12	R10K250	Retaining Ring 1/4	3
13	R10K312X	Retaining Ring 5/16	1
14	160-5123	Drive Cam Assembly	1
15	160-4147	Shaft Retainer (Unit Anti-Cheat)	1
16	S20C832-4	Screw And Lock Washer 8-32 x 1/4	1
17	R13K562	Retaining Ring 9/16	2
18	162-6003	Drive Shaft	1
19	162-4117	Spacer Bar 25-9/64	1
29	S11C832-5	Screw 8-32 x 5/16	2
21	N20C832	Nut And Lock Washer 8-32	2
22	160-4123	Left Hand Support — Relay Channel	1
23	S20C1032-5	Screw And Lock Washer 10-32 x 5/16	2
24	162-5132	Unit Wiring Harness Assembly	1
25	162-4033	Stop Plate - Rear	1
26	160-5106	Channel Assembly - Left Hand	1
27	160-5105	Channel Assembly - Right Hand	1
28	160-4106	Unit Side - Left Hand	1
29	160-4105	Unit Side - Right Hand	1
30	160-4134	Column Side	3
31	160-4133	Center Spacer (Column)	1
32	160-5107	Pivot Post Assembly	1
33	160-4120	Unit Clamp	5
34	150-4366	Gum Deflector	1
35	S30C2520-6	Screw And Lock Washer 1/4-20 x 3/8	5
36	160-5416	Coupling And Drive Bushing Assembly	1
37	150-4035	Coupling Plate	1
38	P10K250-28	Roll Pin 1/4 x 1-3/4	2
39	152-6002	Tube 26-5/16 Long	2
40	001-8005	3/4 Hex Nut	4
41	S20C832-5	Screw And Lock Washer 8-32 x 5/16	6
42	160-5090	Mint Unit Assembly	1
43	160-5093	Mint Chute Assembly	1
44	160-4132	Guide Bracket — Relay Channel	1
45	S40C620-3	Screw 6-20 x 3/16	3
46	165-5133	Unit Extension Wiring Harness	1
47	001-8018	Wire Clamp 5/8	1
48	162-5050	Column Assembly 5" -43	0 to 5
49	162-5051	Column Assembly 5" -31	0 to 5
50	162-5131	Relay Channel Assembly	1
51	001-5479	Relay Assembly	5
52	S20C832-4	Screw And Lock Washer 8-32 x 1/4	10
53	001-8008	Wire Clamp 3/8	1
54	S40C1016-6	Screw 10-16 x 3/8	1

Figure 9 — UNIT ASSEMBLY — 5 COLUMN

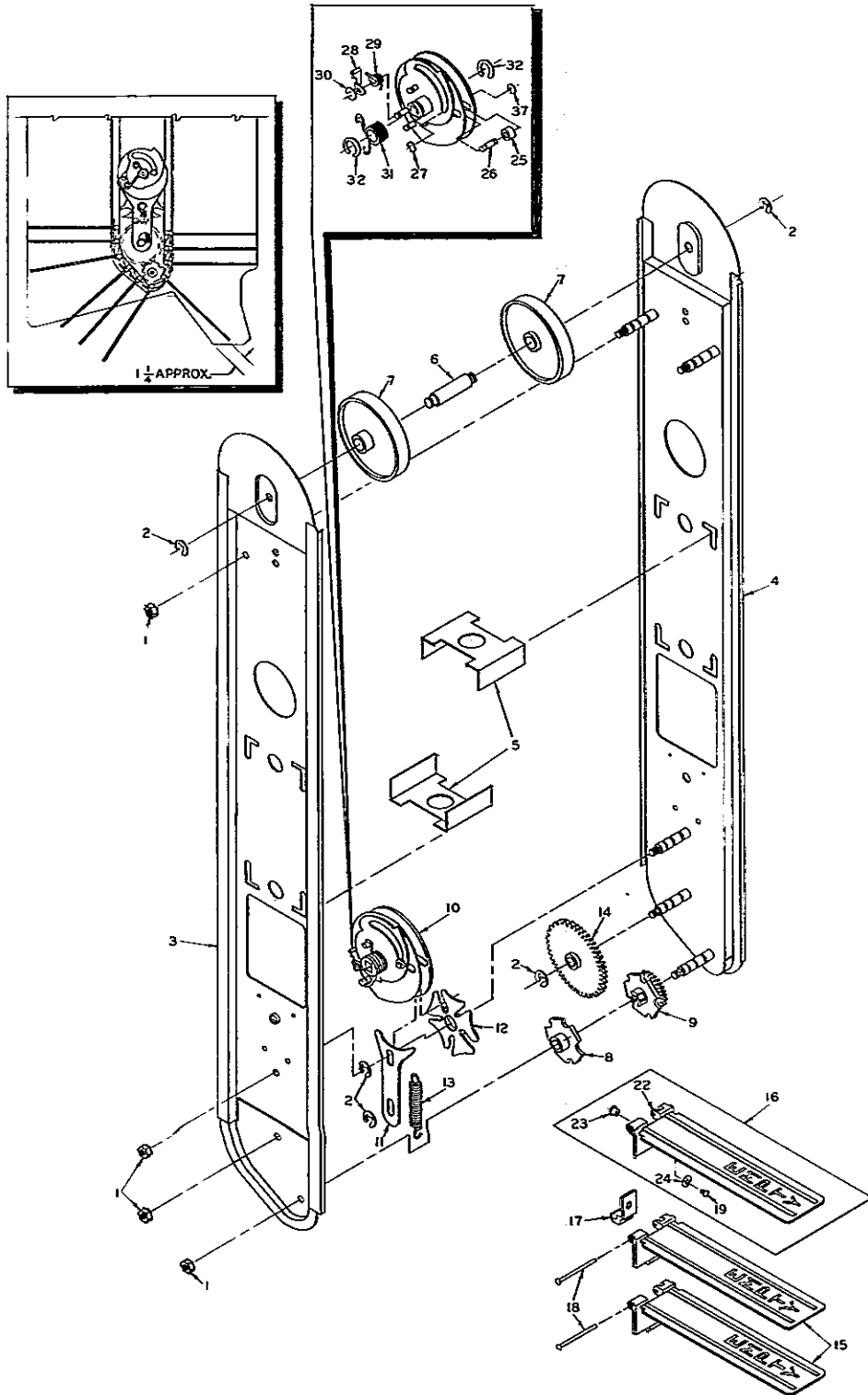


Figure 10 — COLUMN ASSEMBLY 2" - 55

INDEX NO.	PART NO.	DESCRIPTION	QTY. PER ASSEM.
1	N20C2528	Nut And Lock Washer 1/4 -28	5
2	R10K375	Retaining Ring 3/8	5
3	160-5111	Track Assembly Left Hand 2"	1
4	160-5110	Track Assembly Right Hand 2"	1
5	001-4013	Spacer 2"	2
6	160-6006	Shaft Roller 2"	1
7	160-3015	Top Roller	2
8	160-3008	Sprocket 2"	1
9	160-3007	Sprocket And 26 Tooth Gear 2" And 3"	1
10	001-5474	Drive Assembly	1
11	001-5473	Lock Plate Assembly	1
12	001-5471	Index Wheel And Gear Assembly	1
13	001-7002	Tension Spring	1
14	001-9003	Idler Gear - 50 Tooth	1
15	160-3000	Shelf 2"	54
16	160-5115	Connector Shelf Assembly 2"	1
17	160-2007	Shelf Link 2"	1
18	160-8015	Rivet Shelf 2"	55
19	S11C832-5	Screw 8-32 x 5/16	1
22	160-3022	Connector Shelf - 2"	1
23	160-6005	Shelf Ferrule	1
24	R14K250	Retaining Ring 1/4	1
25	001-6024	Roller	1
26	001-6006	Pin (Roller Actuator)	1
26	R10K156	Retaining Ring 5/32	2
28	001-5475	Latch Assembly	1
29	001-7001	Torsion Spring	1
30	R10K125	Retaining Ring 1/8	1
31	001-7000	Torsion Spring	1
32	R13K562	Retaining Ring 9/16	2

Figure 10 — COLUMN ASSEMBLY 2" -55

Lektro Vend

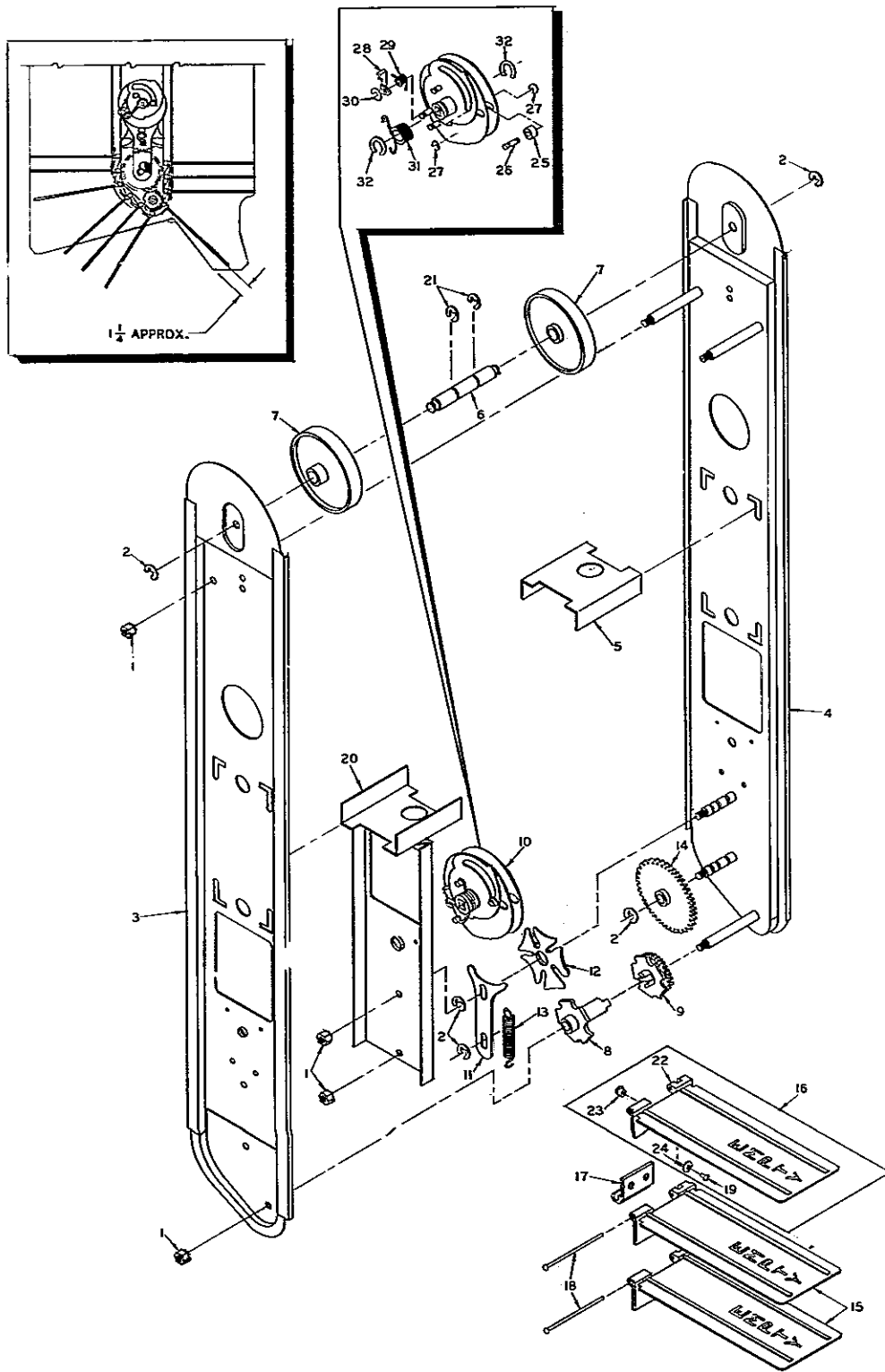


Figure 11 — COLUMN ASSEMBLY 3" N-55

INDEX NO.	PART NO.	DESCRIPTION	QTY. PER ASSEM.
1	N20C2528	Nut And Lock Washer 1/4-28	5
2	R10K375	Retaining Ring 3/8	5
3	160-5113	Track Assembly Left Hand 3"	1
4	160-5112	Track Assembly Right Hand 3"	1
5	001-4014	Spacer 3"	1
6	160-6007	Shaft Roller 3"	1
7	160-3015	Top Roller	2
8	160-3009	Sprocket 3"	1
9	160-3007	Sprocket And 26 Tooth Gear 2" And 3"	1
10	001-5474	Drive Assembly	1
11	001-5473	Lock Plate Assembly	1
12	001-5471	Index Wheel And Gear Assembly	1
13	001-7002	Tension Spring	1
14	001-9003	Idler Gear - 50 Tooth	1
15	160-3001	Shelf 3" Narrow	54
16	160-5116	Connector Shelf Assembly 3" Narrow	1
17	160-2008	Shelf Link 3"	1
18	160-8016	Rivet - Shelf 3"	55
19	S11C832-5	Screw 8-32 x 5/16	2
20	001-5498	Support Bracket Assembly	1
21	R11K500	Retaining Ring	2
22	160-3023	Connector Shelf - 3" Narrow	1
23	160-6005	Shelf Ferrule	2
24	R14K250	Retaining Ring 1/4	2
25	001-6024	Roller	1
26	001-6006	Pin (Roller Actuator)	1
27	R10K156	Retaining Ring 5/32	2
28	001-5475	Latch Assembly	1
29	001-7001	Torsion Spring	1
30	R10K125	Retaining Ring 1/8	1
31	001-7000	Torsion Spring	1
32	R13K562	Retaining Ring 9/16	2

Figure 11 — COLUMN ASSEMBLY 3" N-55

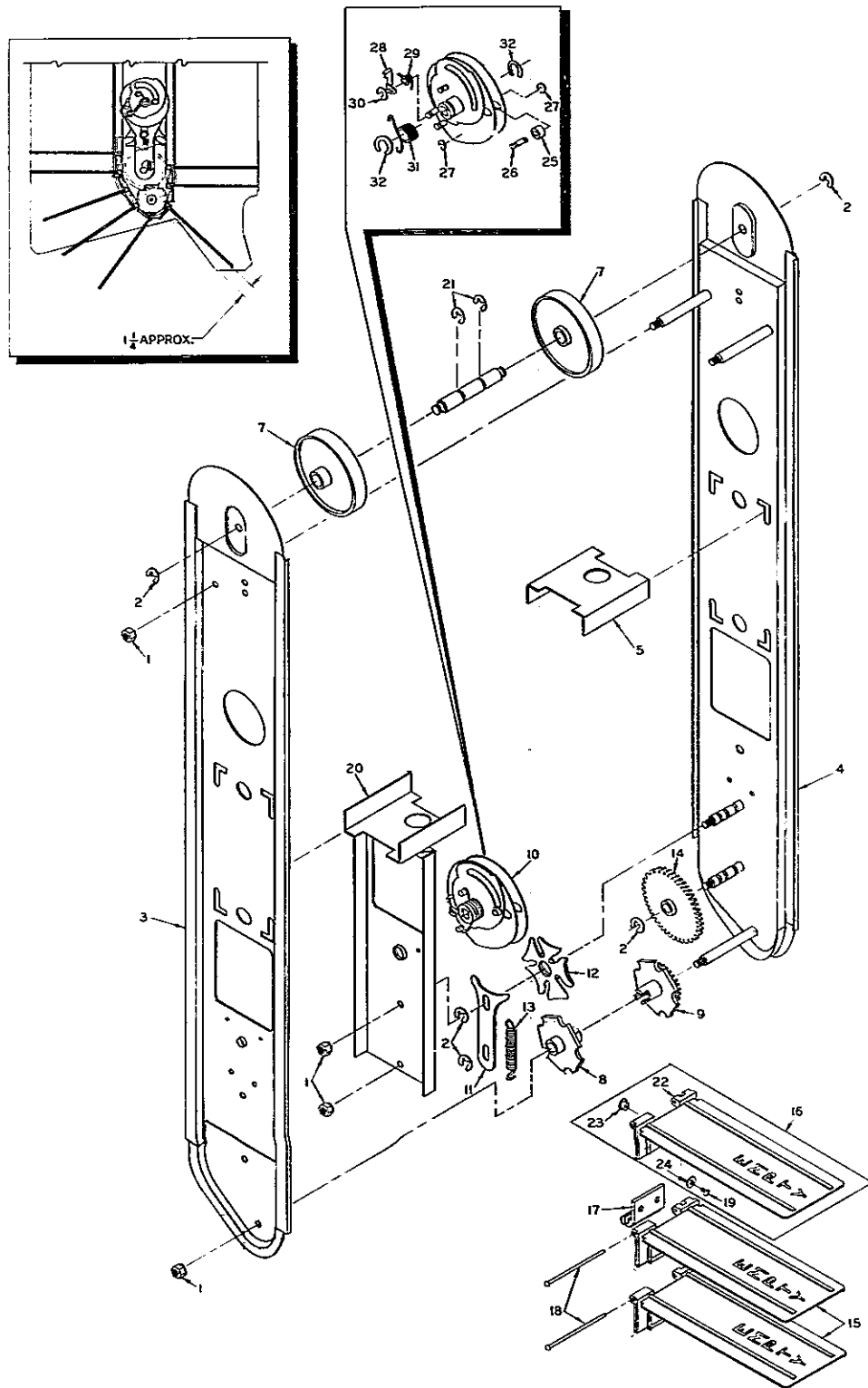


Figure 12 — COLUMN ASSEMBLY 3'' W-43

INDEX NO.	PART NO.	DESCRIPTION	QTY. PER ASSEM.
1	N20C2528	Nut And Lock Washer 1/4-28	5
2	R10K375	Retaining Ring 3/8	5
3	162-5041	Track Assembly Left Hand (5"-Narrow)	1
4	160-5114	Track Assembly Right Hand (3"-Wide)	1
5	001-4014	Spacer 3"	1
6	160-6007	Shaft -Roller 3"	1
7	160-3015	Top Roller	2
8	160-3011	Sprocket (3" Wide)	1
9	160-3010	Sprocket And 26 Tooth Gear (3" Wide)	1
10	001-5474	Drive Assembly	1
11	001-5473	Lock Plate Assembly	1
12	001-5471	Index Wheel And Gear Assembly	1
13	001-7002	Tension Spring	1
14	001-9003	Idler Gear - 50 Tooth	1
15	160-3005	Shelf (3" Wide)	42
16	160-5117	Connector Shelf Assembly (3" Wide)	1
17	160-2008	Shelf Link 3"	1
18	160-8016	Rivet - Shelf 3"	43
19	S11C832-5	Screw 8-32 x 5/16	2
20	001-5498	Support Bracket Assembly 3	1
21	R11K500	Retaining Ring 1/2	2
22	160-3024	Connector Shelf (3"-Wide)	1
23	160-6005	Shelf Ferrule	2
24	R14K250	Retaining Ring 1/4	2
25	001-6024	Roller	1
26	001-6006	Pin (Roller Actuator)	1
27	R10K156	Retaining Ring 5/32	2
28	001-5475	Latch Assembly	1
29	001-7001	Torsion Spring	1
30	R10K125	Retaining Ring 1/8	1
31	001-7000	Torsion Spring	1
32	R13K562	Retaining Ring 9/16	2

Figure 12 — COLUMN ASSEMBLY 3" W-43

Lektro Vend

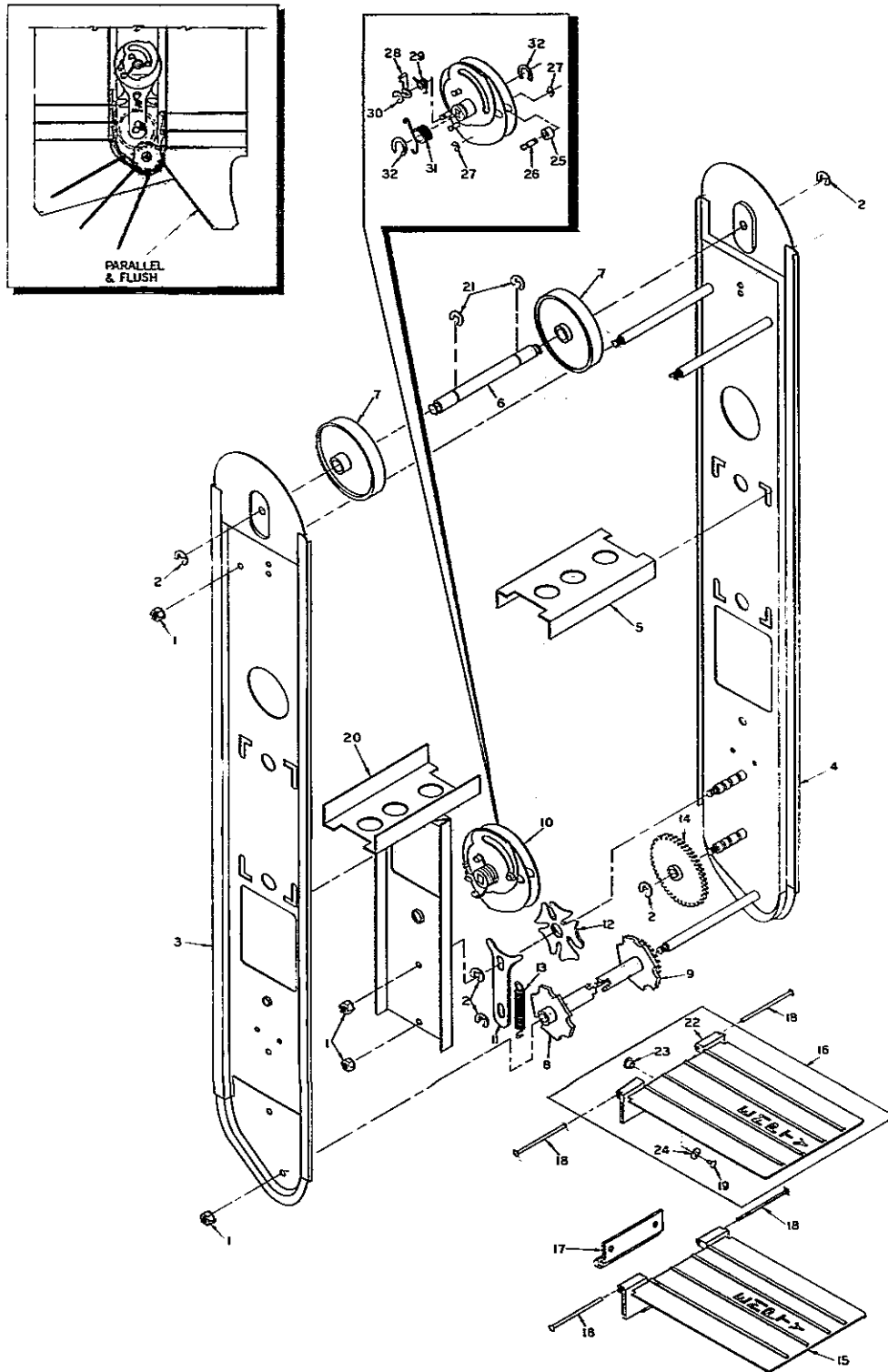


Figure 13 — COLUMN ASSEMBLY 5" N-43

INDEX NO.	PART NO.	DESCRIPTION	QTY. PER ASSEM.
1	N20C2528	Nut And Lock Washer 1/4-28	5
2	R10K375	Retaining Ring 3/8	5
3	162-5041	Track Assembly Left Hand 5" Narrow	1
4	162-5040	Track Assembly Right Hand 5" Narrow	1
5	001-4015	Spacer 5"	1
6	162-6008	Shaft - Roller 5" Narrow And 5" Wide	1
7	160-3015	Top Roller	2
8	162-3012	Sprocket 5" Narrow	1
9	162-3011	Sprocket And 26 Tooth Gear (5" Narrow)	1
10	001-5474	Drive Assembly	1
11	001-5473	Lock Plate Assembly	1
12	001-5471	Index Wheel & Gear Assembly	1
13	001-7002	Tension Spring	1
14	001-9003	Idler Gear - 50 Tooth	1
15	162-3002	Shelf 5" Narrow	42
16	162-5045	Connector Shelf Assembly (5" Narrow)	1
17	162-2009	Shelf Link 5" Narrow	1
18	162-8017	Rivet - Shelf 5"	86
19	S11C832-5	Screw 8-32 x 5/16	2
20	001-5499	Support Bracket Assembly 5"	1
21	R11K500	Retaining Ring 1/2	2
22	162-3024	Connector Shelf (5" Narrow)	1
23	160-6005	Shelf Ferrule	2
24	R14K250	Retaining Ring 1/4	2
25	001-6024	Roller	1
26	001-6006	Pin (Roller Actuator)	1
27	R10K156	Retaining Ring 5/32	2
28	001-5475	Latch Assembly	1
29	001-7001	Torsion Spring	1
30	R10K125	Retaining Ring 1/8	1
31	001-7000	Torsion Spring	1
32	R13K562	Retaining Ring 9/16	2

Figure 13 — COLUMN ASSEMBLY 5" N-43

Lektro Vend

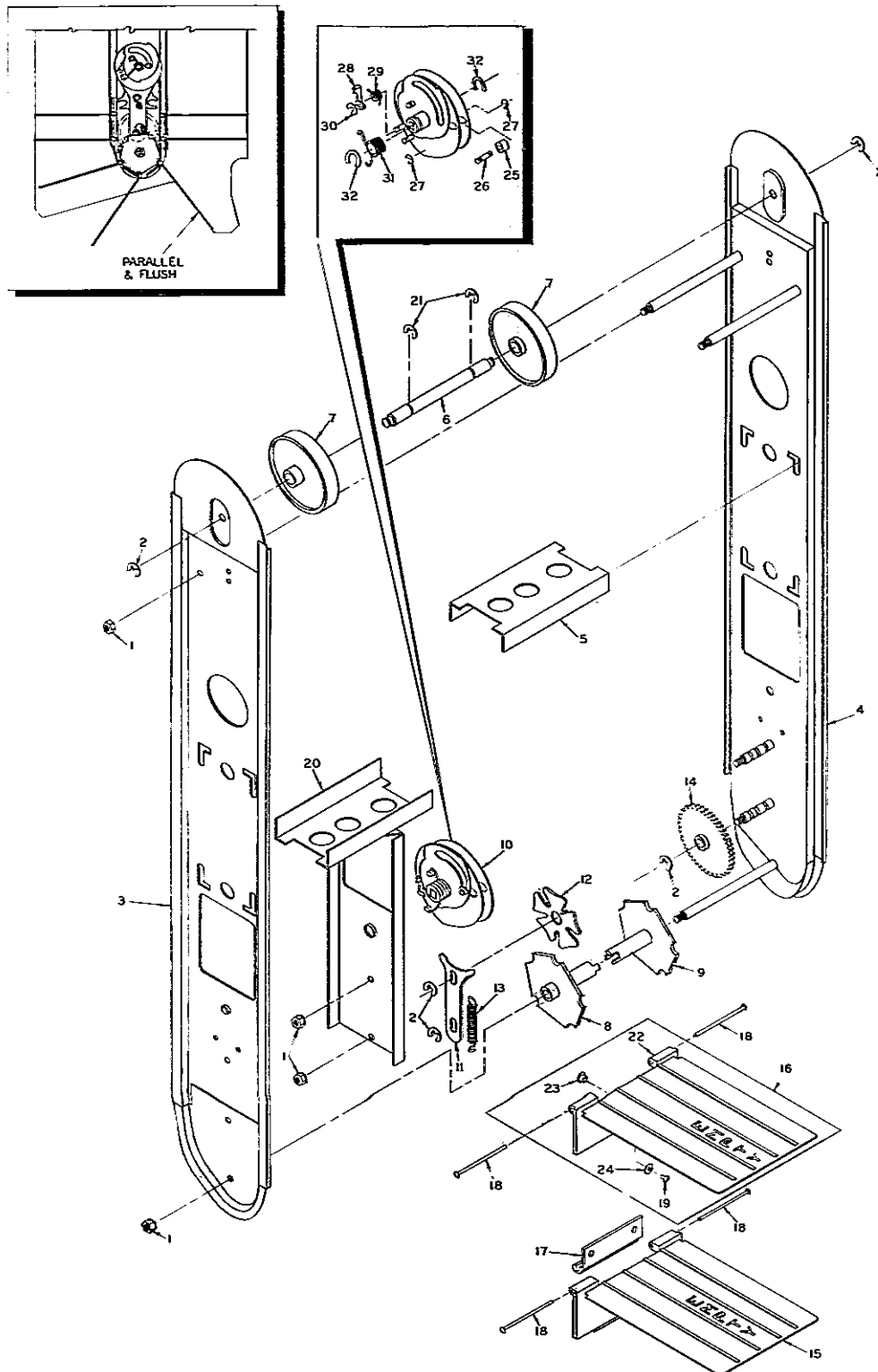


Figure 14 — COLUMN ASSEMBLY 5" W-31

INDEX NO.	PART NO.	DESCRIPTION	QTY. PER ASSEM.
1	N20C2528	Nut And Lock Washer 1/2-28	5
2	R10K375	Retaining Ring 3/8	5
3	162-5043	Track Assembly Left Hand 5" Wide	1
4	162-5042	Track Assembly Right Hand 5" Wide	1
5	001-4015	Spacer 5"	1
6	162-6008	Shaft - Roller 5" Narrow And 5" Wide	1
7	160-3015	Top Roller	2
8	162-3014	Sprocket 5" Wide	1
9	162-3013	Sprocket And 26 Tooth Gear 5" Wide	1
10	001-5474	Drive Assembly	1
11	001-5473	Lock Plate Assembly	1
12	001-5471	Index Wheel And Gear Assembly	1
13	001-7002	Tension Spring	1
14	001-9003	Idler Gear - 50 Tooth	1
15	162-3003	Shelf 5" Wide	30
16	162-5046	Connector Shelf Assembly 5" Wide	1
17	162-2010	Shelf Link 5" Wide	1
18	162-8017	Rivet - Shelf 5"	62
19	S11C832-5	Screw 8-32 x 5/16	2
20	001-5499	Support Bracket Assembly 5"	1
21	R11K500	Retaining Ring 1/2"	2
22	162-3025	Connector Shelf 5" Wide	1
23	160-6005	Shelf Ferrule	2
24	R14K250	Retaining Ring 1/4	2
25	001-6024	Roller	1
26	001-6006	Pin (Roller Actuator)	1
27	R10K156	Retaining Ring 5/32	2
28	001-5475	Latch Assembly	1
29	001-7001	Torsion Spring	1
30	R10K125	Retaining Ring 1/8	1
31	001-7000	Torsion Spring	1
32	R13K562	Retaining Ring 9/16	2

Figure 14 — COLUMN ASSEMBLY 5" W-31

Lektra Vend

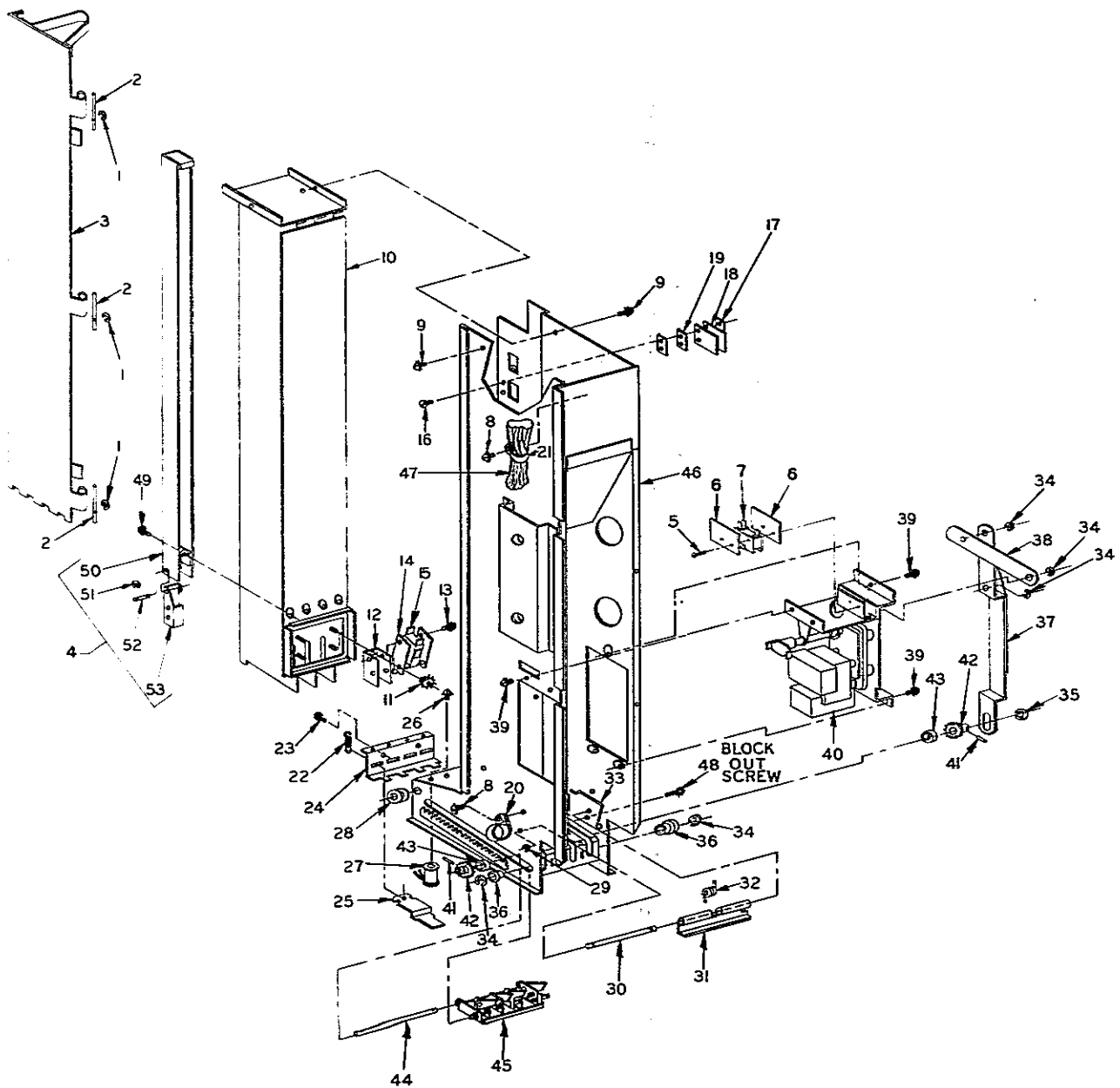


Figure 15 — GUM AND MINT ASSEMBLY

INDEX NO.	PART NO.	DESCRIPTION	QTY. PER ASSEM.
1	R10K187	Retaining Ring 3/16	3
2	001-6064	Hinge Pin -Mint	3
3	150-5348	Mint Door Assembly	1

INDEX NO.	PART NO.	DESCRIPTION	QTY. PER ASSEM.
4	150-5355	Mint Spacer Assembly Complete	4
5	S20C632-16	Screw And Lock Washer 6-32 x 1"	2
6	001-9012	Insulator	2
7	001-8013	Micro Switch	1
8	S20C832-5	Screw And Lock Washer 8-32 x 5/16	3
9	S20C832-4	Screw And Lock Washer 8-32 x 1/4	3
10	160-5092	Stack Assembly	1
11	N20C632	Nut And Lock Washer 6-32	4
12	102-4043	Switch Mounting Bracket	2
13	S10C440-9	Screw 4-40 x 9/16	8
14	501-9001	Switch Insulator	8
15	102-8001	Column Empty Switch	4
16	S12C632-6	Screw 6-32 x 3/8	4
17	001-4126	Door Spring Nut Bar	2
18	001-7013	Door Spring	4
19	001-4125	Door Spring Spacer	4
20	001-8008	Wire Clamp 3/8	1
21	001-8017	Wire Clamp 1/2	1
22	001-7018	Extension Spring	4
23	S20C832-4	Screw And Lock Washer 8-32 x 1/4	2
24	001-4127	Armature Retainer	1
25	150-5359	Armature Assembly	4
26	S20C832-4	Screw And Lock Washer 8-32 x 1/4	4
27	001-8011	Electro Magnet - Mint	4
28	001-8021	Grommet Rubber 1/2	1
29	R10K187	Retaining Ring 3/16	2
30	150-6009	Shaft	1
31	150-4355	Feeler Gate	1
32	150-7002	Torsion Spring	1
33	001-7012	Guide Spring	3
34	R10K250	Retaining Ring 1/4	5
35	R10K375	Retaining Ring 3/8	1
36	001-6052	Shoulder Roller - Mint	2
37	150-5349	Drive Arm Assembly	1
38	150-5350	Drive Link Assembly	1
39	S20C832-4	Screw And Lock Washer 8-32 x 1/4	5
40	150-5356	Drive Motor Assembly	1
41	P10K094-6	Roll Pin 3/32 x 3/8	2
42	150-5422	Hub And Gear Assembly	2
43	150-6007	Spacer Roller	2
44	150-6013	Shaft - Mint	1
45	150-5358	Pusher And Drive Bar Assembly	1
46	150-5342	Side Plates And Chassis Assembly	1
47	160-5091	Harness - Mint Unit	1
48	S20C632-6	Block Out Screw And Lock Washer 6-32 x 3/8	1
49	S20C832-16	Screw And Lock Washer 8-32 x 1	4
50	150-5354	Mint Column Spacer Assembly	4
51	R10K125	Retaining Ring 1/8	8
52	150-6082	Shaft - Mint Spacer	4
53	150-4362	Out Switch Activator	4

Figure 15 — GUM AND MINT ASSEMBLY

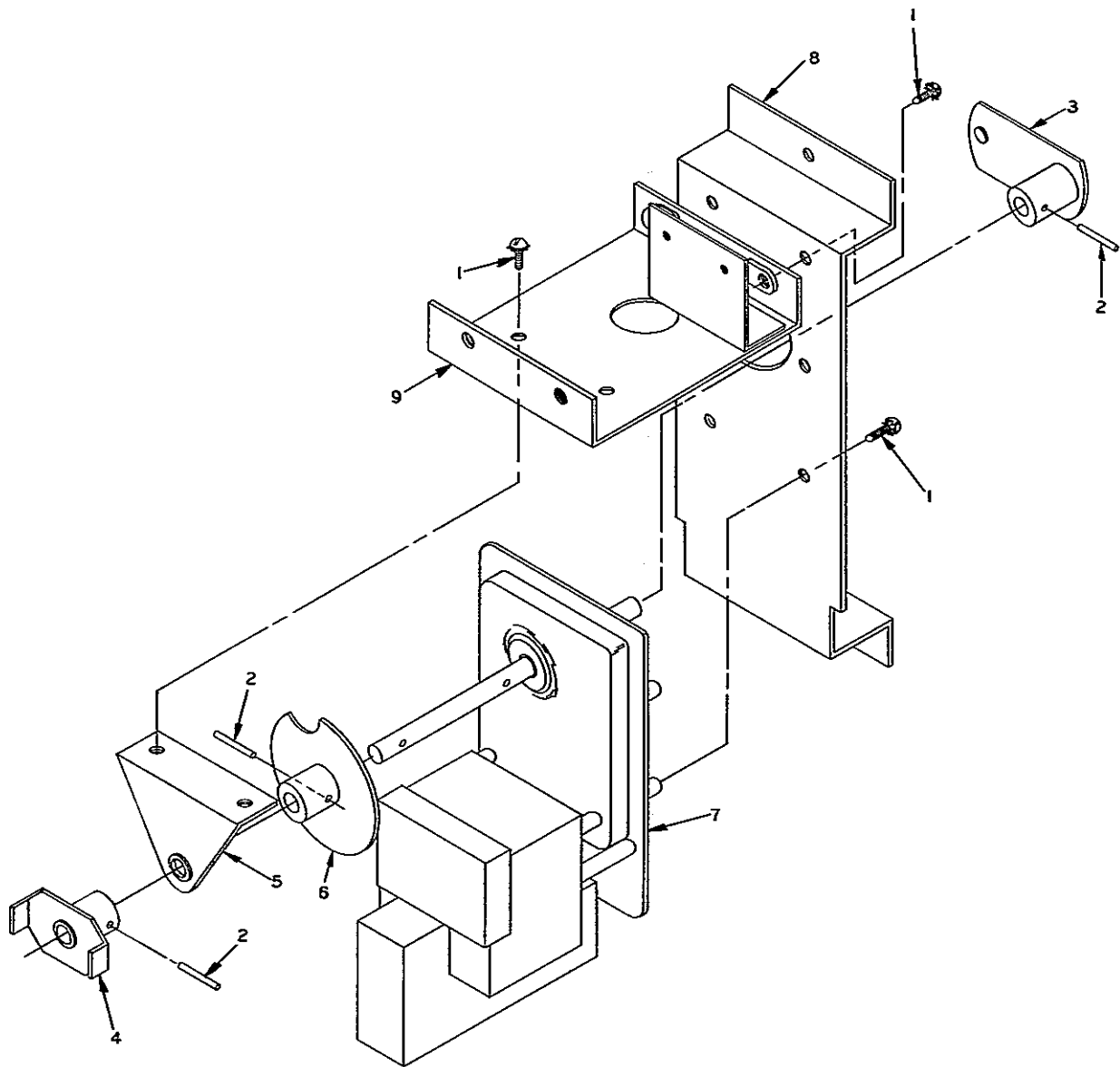


Figure 16—DRIVE MOTOR ASSEMBLY WITH GUM AND MINT

INDEX NO.	PART NO.	DESCRIPTION	QTY. PER ASSEM.
1	S20C832-4	Screw And Lock Washer 8-32 x 1/4	8
2	P10K094-10	Roll Pin 3/32 x 5/8	3
3	150-5351	Drive Cam Assembly	1
4	150-5417	Drive Coupling And Hub Assembly	1
5	150-5418	Shaft Support Assembly	1
6	150-5420	Interlock Cam Assembly	1
7	150-8000	Drive Motor	1
8	150-4349	Motor Mounting Bracket	1
9	150-5352	Motor Switch Bracket Assembly	1

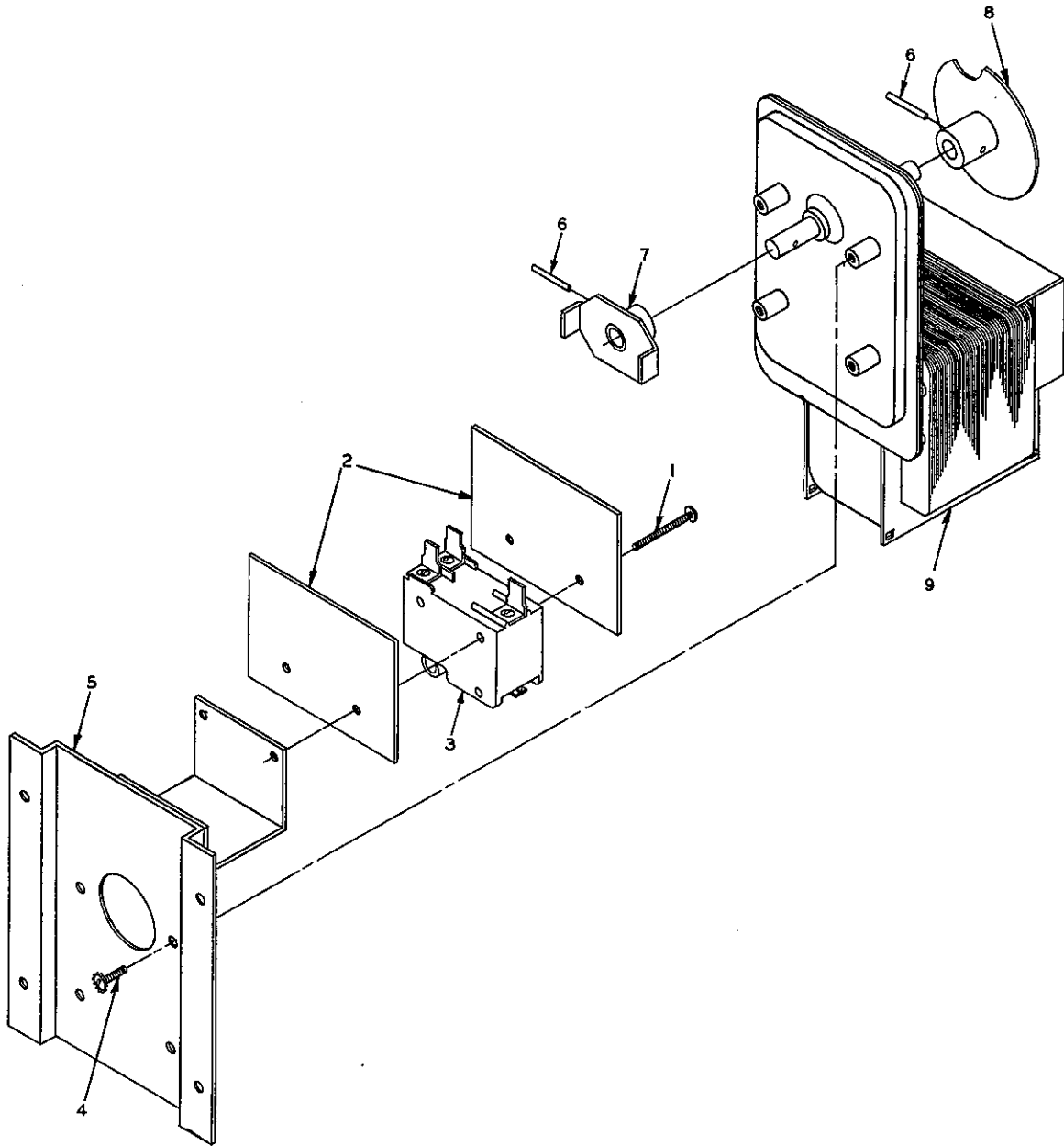


Figure 17 —DRIVE MOTOR ASSEMBLY WITHOUT GUM AND MINT

INDEX NO.	PART NO.	DESCRIPTION	QTY. PER ASSEM.
1	S10C632-14	Screw And Lock Washer 6-32 x 7/16	2
2	001-9012	Insulator	2
3	001-8013	Micro Switch	1
4	S20C832-4	Screw And Lock Washer 8-32 x 1/4	4
5	152-5412	Motor Bracket Assembly	1
6	P10K094-12	Roll Pin 3/32 x 5/8	2
7	150-5417	Drive Coupling And Hub Assembly	1
8	150-5420	Interlock Cam Assembly	1
9	152-8000	Drive Motor	1

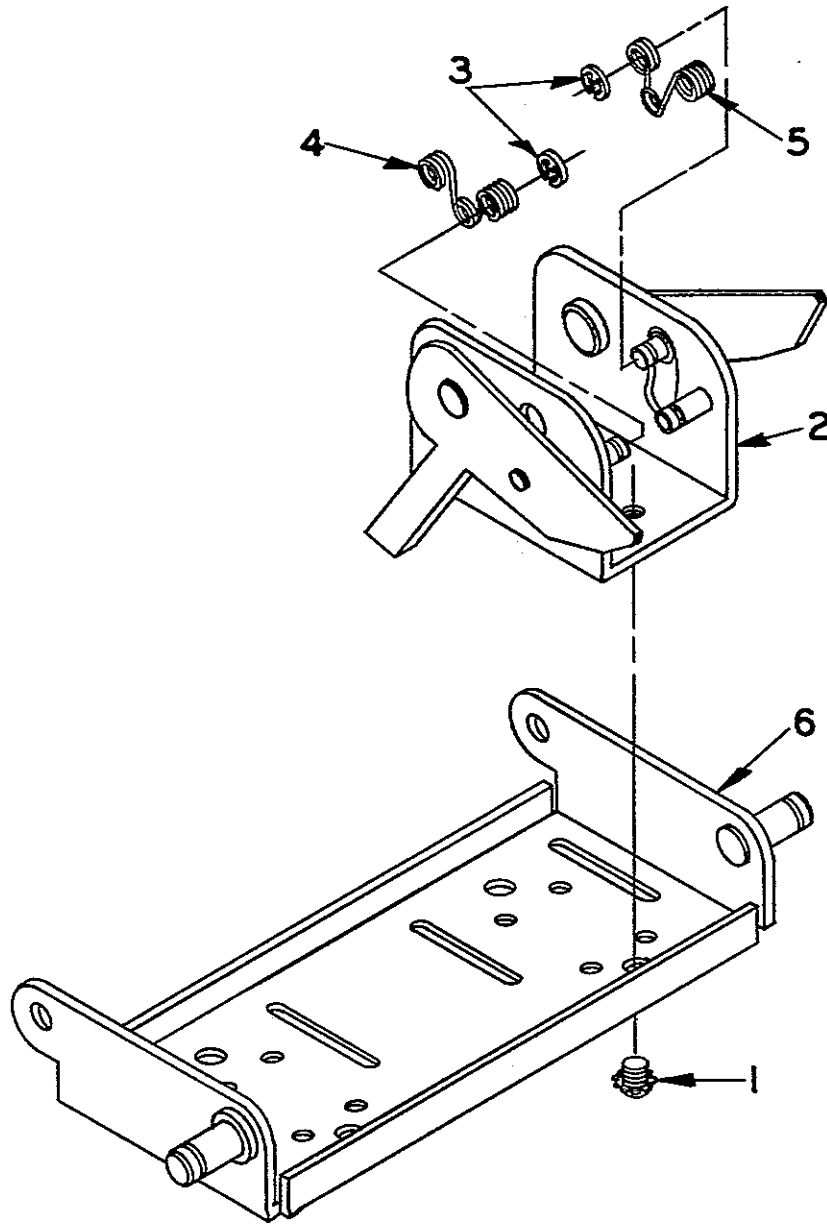


Figure 18 — PUSHER AND DRIVE BAR ASSEMBLY

INDEX NO.	PART NO.	DESCRIPTION	QTY. PER ASSEM.
1	S20C1032-3	Screw And Lock Washer 10-32 x 3/16.....	4
2	001-5422	Pusher Support Assembly	2
3	R10K156	Retaining Ring 5/32	8
4	001-7024	Pusher Spring - Left Hand	2
5	001-7023	Pusher Spring - Right Hand	2
6	150-5357	Pusher Drive Bar Assembly	1

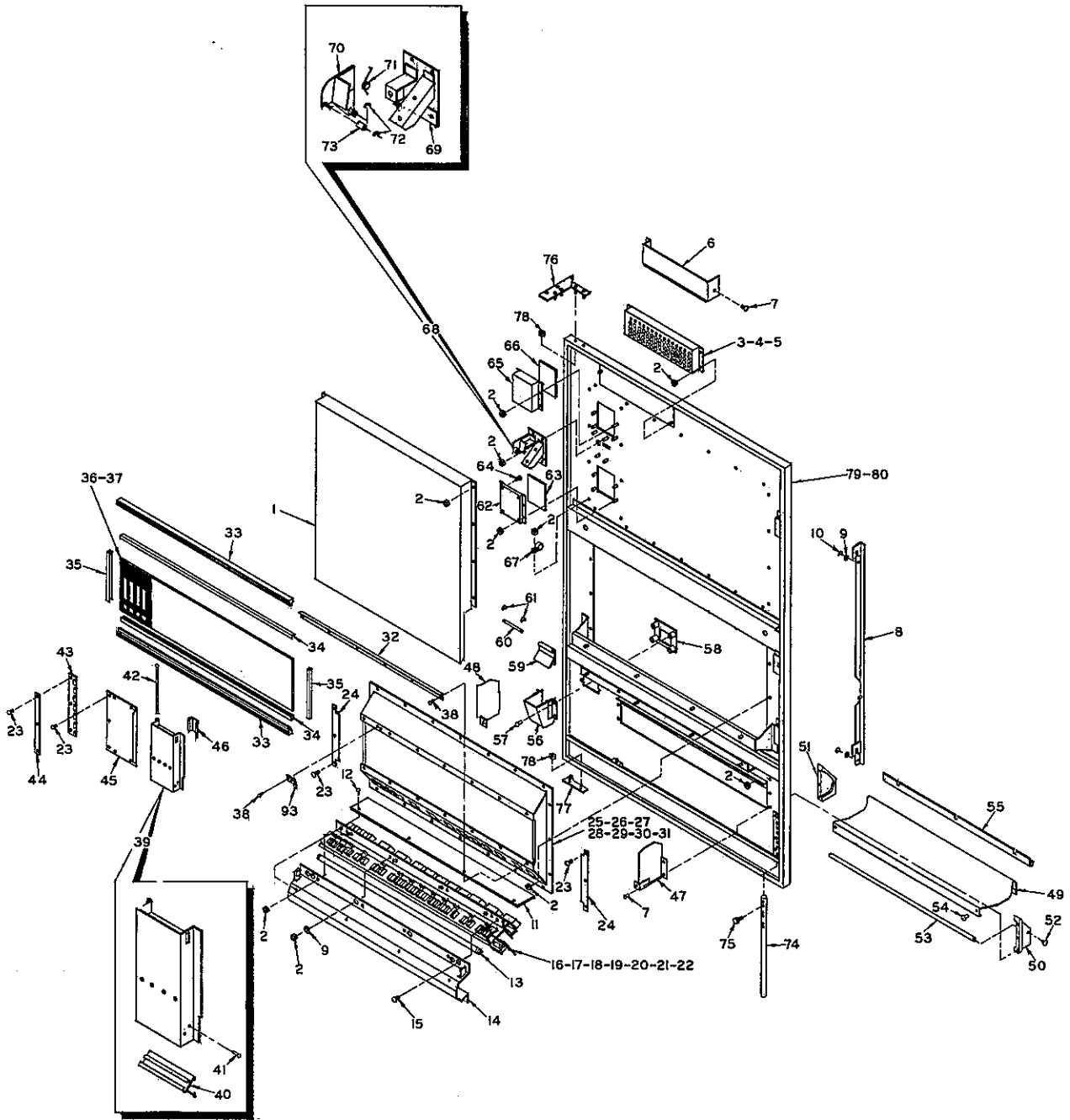


Figure 19 — DOOR ASSEMBLY — STANDARD

Lektro Vend

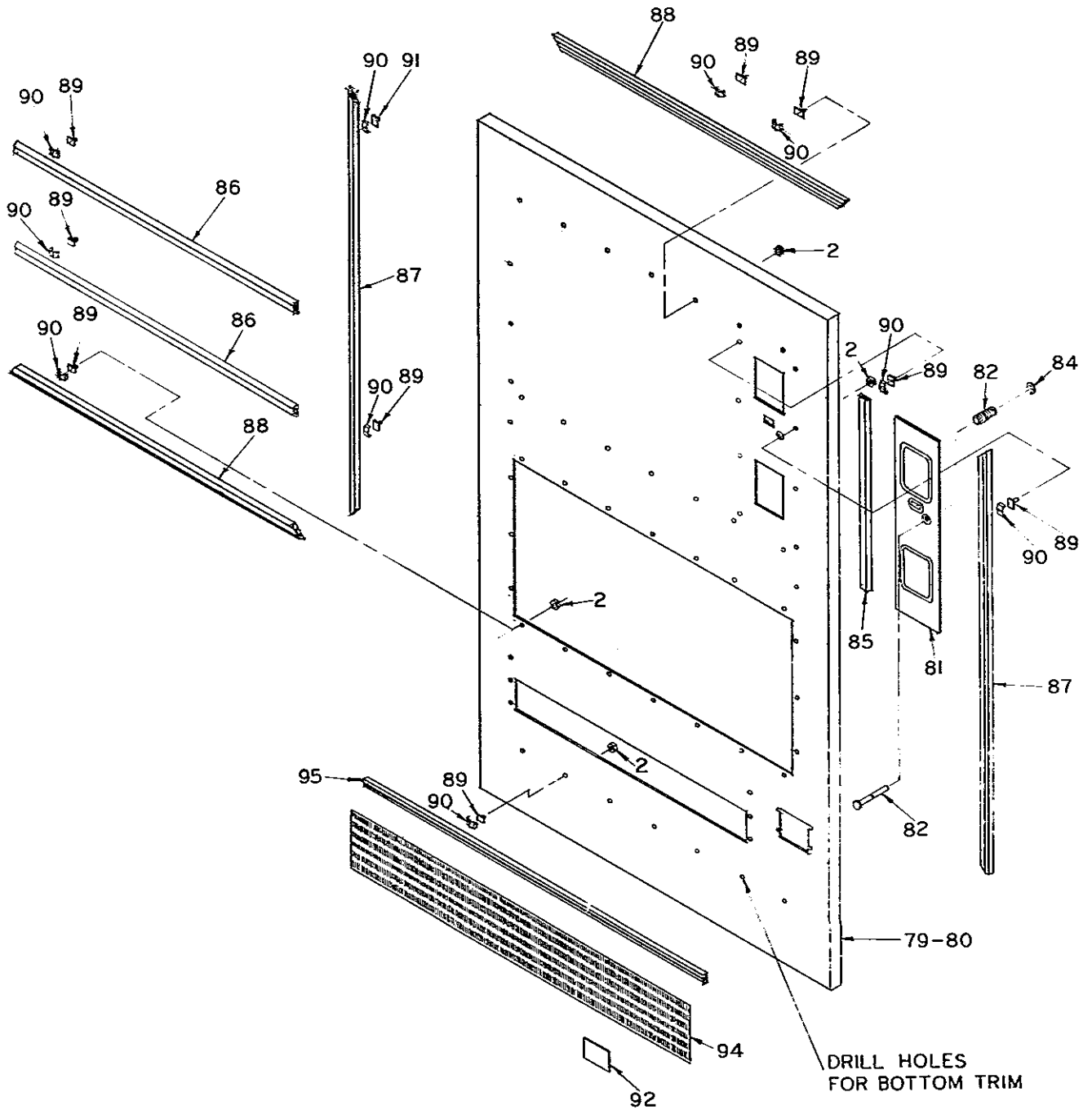


Figure 19 — DOOR ASSEMBLY — STANDARD

INDEX NO.	PART NO.	DESCRIPTION	QTY. PER ASSEM.
1	160-5038	Door Spacer Weldment	1
2	N20C832	Nut And Lock Washer 8-32	.75
3	163-5028	Price Exchange Assembly	0 to 1
4	165-5028	Price Exchange Assembly	0 to 1
5	164-5028	Price Exchange Assembly	0 to 1
6	160-4040	Price Exchange Cover	1
7	S20C832-5	Screw And Lock Washer 8-32 x 5/16	.7
8	150-5236	Lock Bar Assembly	1
9	W10C10	Flat Washer 10	.6
10	R10K312X	Retainer Ring 5/16	1
11	160-3030	Light Cover	1
12	S13C832-5	Screw 8-32 x 5/16	.4
13	001-8091	Fluorescent Lamp (18 Watts)	1
14	160-5064	Display Light Assembly	1
15	S41C832-5	Screw 8-32 x 5/16	.2
16	160-5031	Model 160 Selector	0 to 1
17	161-5031	Model 161 Selector	0 to 1
18	163-5031	Model 163 Selector	0 to 1
19	165-5031	Model 165 Selector	0 to 1
20	166-5031	Model 166 Selector	0 to 1
21	162-5031	Model 162 Selector	0 to 1
22	164-5031	Model 164 Selector	0 to 1
23	S42C832-5	Screw 8-32 x 5/16	.6
24	150-5233	Display End Cover Assembly	.2
25	160-5025	Model 160 Display	0 to 1
26	161-5025	Model 161 Display	0 to 1
27	163-5025	Model 163 Display	0 to 1
28	165-5025	Model 165 Display	0 to 1
29	166-5025	Model 166 Display	0 to 1
30	162-5025	Model 162 Display	0 to 1
31	164-5025	Model 164 Display	0 to 1
32	160-4026	Display Light Cover	1
33	150-2020	Display Trim	.2
34	150-9008	Display Glass Gasket Horizontal	.2
35	150-9007	Display Glass Gasket Vertical	.2
36	150-9038	Display Glass (With Mint)	0 to 1
37	152-9006	Display Glass (Without Mint)	0 to 1
38	S42C832-4	Screw 8-32 x 1/4	.10
39	150-5232	Mint Display Assembly	1
40	150-3005	Price Card Holder	1
41	S42C832-5	Screw 8-32 x 5/16	.4
42	150-6021	Hinge Pin	1
43	150-4251	Mint Display Hinge Mounting	1
44	150-4057	Hinge Retainer	1
45	162-4024	Mint Display Cover	1
46	150-7008	Mint Backup Spring	.4
47	160-5051	Delivery Tray Support Assembly - Left Hand	1
48	160-5052	Delivery Tray Support Assembly - Right Hand	1
49	150-4266	Delivery Tray	1
50	001-2001	Delivery Tray - Left Hand End	1
51	001-2000	Delivery Tray - Right Hand End	1

Figure 19 — DOOR ASSEMBLY — STANDARD

Lektra Vend

INDEX NO.	PART NO.	DESCRIPTION	QTY. PER ASSEM.
52	S11H832-10	Screw 8-32 x 5/8	2
53	150-6075	Tie Rod	1
54	S20C2520-8	Screw And Lock Washer 1/4-20 x 1/2	2
55	150-4263	Delivery Top Trim	1
56	001-5132	Coin Return Cup Assembly	1
57	S20C1032-6	Screw And Lock Washer 10-32 x 3/8	4
58	001-2003	Coin Return Front	1
59	001-2004	Coin Return Door	1
60	001-6122	Pin - Coin Return Cup	1
61	R10K125	Retaining Ring 1/8	2
62	150-4241	Instruction Glass Cover	1
63	150-9041	Instruction Glass	1
64	001-8022	Rubber Stem Bumper	4
65	150-5225	Light Box Assembly	1
66	150-9040	Out Light Glass	1
67	001-8019	Wire Clamp (7/8)	3
68	160-5054	Coin Chute And Return Arm Assembly	1
69	160-5053	Coin Chute And Bracket Assembly	1
70	150-5227	Coin Return Arm Assembly	1
71	150-7009	Coin Return Arm Spring	1
72	R10K250	Retaining Ring 1/4	2
73	150-6070	Coin Return Roller	1
74	160-6010	Door Stabilizer Rod	1
75	S30C2520-8	Screw And Lock Washer 14-20 x 1/2	2
76	150-5316	Top Hinge Assembly	1
77	150-5313	Bottom Door Hinge Assembly	1
78	N20C2520	Nuts And Lock Washers 1/4-20	4
79	160-5035	Door Weldment - (Standard Short)	0 to 1
80	160-5036	Door Weldment (Standard Long)	0 to 1
81	160-4044	Coin Receiver Plate	1
82	150-5228	Coin Return Pin Assembly	1
83	001-7019	Coin Return Spring	1
84	R10K313X	Retaining Ring	1
85	160-2003	Door Extrusion Center Vertical	1
86	150-2024	Door Extrusion Lower Horizontal	2
87	160-2002	Door Extrusion Vertical Sides	2
88	160-2000	Door Extrusion Upper And Lower	2
89	150-8250	T-Screw (3/8)	45
90	150-4392	Clip "T" Screw	48
91	150-8251	T-Screw (5/8)	3
92	001-8102	Name Plate	1
93	150-7007	Mint Display Latch	1
94	112-8028	Vendo Grille	1
95	160-2005	Door Divider Extrusion	1

Figure 19 — DOOR ASSEMBLY — STANDARD

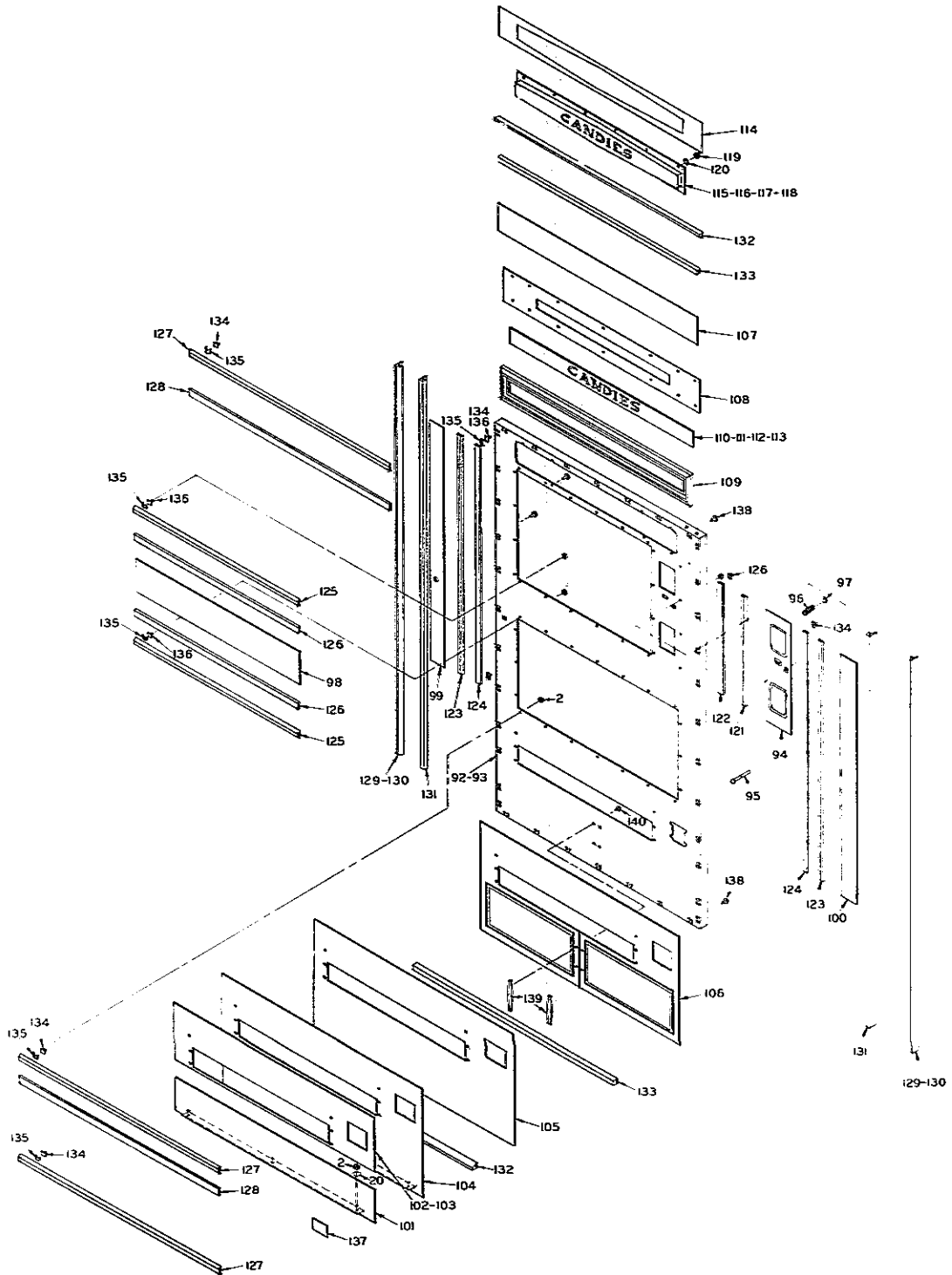


Figure 20 — DOOR ASSEMBLY — DELUXE — ALL MODELS

INDEX NO.	PART NO.	DESCRIPTION	QTY. PER ASSEM.
1	160-5044	Shadow Box Weldment	1
2	N20C832	Nut And Lock Washer 8-32	93
3	160-3031	Shadow Box Top	1
4	150-9042	Shadow Box Picture (Candy)	0 to 1
5	150-9043	Shadow Box Picture (Pastry)	0 to 1
6	150-9044	Shadow Box Picture (Pastry, Candy)	0 to 1
7	150-9045	Shadow Box Picture (Snacks)	0 to 1
8	160-9005	Shadow Box Glass	1
9	150-4237	Glass Retainer Bottom	2
10	150-4235	Glass Retainer Sides	2
11	150-9036	Shadow Box Glass Gasket Vertical	2
12	150-9035	Shadow Box Glass Gasket Horizontal	2
13	160-5043	Top Light Assembly	1
14	162-5028	Price Exchange Assembly	0 to 1
15	165-5028	Price Exchange Assembly	0 to 1
16	164-5028	Price Exchange Assembly	0 to 1
17	S20C832-5	Screw And Lock Washer 8-32 x 5/16	9
18	160-4040	Price Exchange Cover	1
19	150-5236	Lock Bar Assembly	1
20	W10C10	Flat Washer 10	6
21	R10K187	Retaining Ring 3/16	2
22	S41C832-5	Screw 8-32 x 5/16	2
23	S13C832-5	Screw 8-32 x 5/16	4
24	160-3030	Light Cover	1
25	001-8091	Fluorescent Lamp (18 Watts)	1
26	160-5064	Display Light Assembly	1
27	160-5031	Model 160 Selector	0 to 1
28	161-5031	Model 161 Selector	0 to 1
29	162-5031	Model 162 Selector	0 to 1
30	163-5031	Model 163 Selector	0 to 1
31	164-5031	Model 164 Selector	0 to 1
32	165-5031	Model 165 Selector	0 to 1
33	166-5031	Model 166 Selector	0 to 1
34	S42C832-5	Screw 8-32 x 5/16	6
35	S42C832-4	Screw 8-32 x 1/4	10
36	150-5233	Display End Cover Assembly	2
37	160-5025	Model 160 Display	0 to 1
38	161-5025	Model 161 Display	0 to 1
39	162-5025	Model 162 Display	0 to 1
40	163-5025	Model 163 Display	0 to 1
41	164-5025	Model 164 Display	0 to 1
42	165-5025	Model 165 Display	0 to 1
43	166-5025	Model 166 Display	0 to 1
44	160-4026	Display Light Cover	1
45	150-2020	Display Trim	2
46	150-9008	Display Glass Gasket Horizontal	2
47	150-9007	Display Glass Gasket Vertical	2
48	150-9038	Display Glass With Mint	1
49	152-9006	Display Glass Without Mint	1
50	150-5232	Mint Display Assembly	1
51	150-6021	Hinge Pin	1
52	150-4251	Mint Display Hinge Mounting	1

Figure 20 — DOOR ASSEMBLY — DELUXE — ALL MODELS

Lektra Vend

INDEX NO.	PART NO.	DESCRIPTION	QTY. PER ASSEM.
53	150-4057	Hinge Retainer	1
54	162-4042	Mint Display Cover	1
55	150-7008	Mint Backup Spring	4
56	150-7007	Mint Display Latch	1
57	S42C832-5	Screw 8-32 x 5/16	4
58	150-3005	Price Card Holder	1
59	160-5051	Delivery Tray - Support Assembly Left Hand	1
60	160-5052	Delivery Tray - Support Assembly Right Hand	1
61	150-4266	Delivery Tray	1
62	S20C2520-8	Screw And Lock Washer 1/4-20 x 1/2	2
63	001-2001	Delivery Tray Left Hand End	1
64	001-2000	Delivery Tray Right Hand End	1
65	150-6075	Tie Rod	1
66	S11H832-10	Screw 8-32 x 5/8	2
67	150-5239	Delivery Bottom Trim Assembly	1
68	150-4263	Delivery Top Trim	1
69	001-5132	Coin Return Cup Assembly	1
70	001-2003	Coin Return Front	1
71	S20C1032-6	Screw And Lock Washer 10-32 x 3/8	4
72	001-2004	Coin Return Door	1
73	001-6122	Pin - Coin Return Cup	1
74	R10K125	Retaining Ring 1/8	2
75	160-6010	Door Stabilizer Rod	1
76	S30C2520-5	Screw And Lock Washer 1/4-20 x 5/16	2
77	001-8019	Wire Clamp (7/8)	1
78	150-4241	Instruction Glass Cover	1
79	001-8022	Rubber Stem Bumper	4
80	150-9041	Instruction Glass	1
81	150-5225	Light Box Assembly	1
82	150-9040	Out Light Glass	1
83	160-5054	Coin Chute & Return Arm Assembly	1
84	150-5227	Coin Return Arm Assembly	1
85	160-5053	Coin Chute And Mounting Assembly	1
86	150-7009	Coin Return Arm Spring	1
87	R10K250	Retaining Ring 1/4	2
88	150-6070	Coin Return Roller	1
89	150-5316	Top Hinge Assembly	1
90	150-5313	Bottom Door Hinge Assembly	1
91	N20C2520	Nut And Lock Washer 1/4-20	4
92	160-5040	Door Weldment - Deluxe Short	0 to 1
93	160-5041	Door Weldment - Deluxe Long	0 to 1
94	160-4044	Coin Receiver Plate	1
95	150-5228	Coin Receiver Pin Assembly	1
96	001-7019	Coin Return Spring	1
97	R10K312X	Retaining Ring 5/16	1
98	160-4062	Door Panel Center	1
99	150-4280	Door Panel Left Hand	1
100	150-4279	Door Panel Right Hand	1
101	160-5103	Door Bottom Panel (Vendo)	0 to 1
102	150-4286	Door Lower Panel (Vendo 69")	0 to 1
103	160-4070	Door Lower (72" Vendo)	0 to 1
104	160-5104	Door Bottom Panel (Rowe)	0 to 1

Figure 20 — DOOR ASSEMBLY — DELUXE — ALL MODELS

INDEX NO.	PART NO.	DESCRIPTION	QTY. PER ASSEM.
105	150-4282	Door Bottom Panel (National Crown)	0 to 1
106	160-4151	Door Bottom Panel (National G.F.)	0 to 1
107	150-4288	Door Top Panel (No Light)	0 to 1
108	160-5155	Top Panel Assem Door (National G.F.)	0 to 1
109	160-3033	Top Light Frame (National G.F.)	0 to 1
110	160-9010	Sign Glass Candies (National G.F.)	0 to 1
111	160-9011	Sign Glass Pastries (National G.F.)	0 to 1
112	160-9013	Sign Glass Snacks (National G.F.)	0 to 1
113	160-9014	Sign Glass Pastries Candies (National G.F.)	0 to 1
114	150-4289	Door Top Panel (Lighted)	0 to 1
115	150-3022	Sign -Candies (National Crown)	0 to 1
116	150-3023	Sign - Pastries (National Crown)	0 to 1
117	150-3024	Sign - Pastry-Candy (National Crown)	0 to 1
118	150-3025	Sign - Snacks (National Crown)	0 to 1
119	400-8039	Acorn Nuts (8-32)	0 to 12
120	W10C10	Flat Washer 10	0 to 12
121	160-2003	Door Extrusion Center Vertical	0 to 1
122	160-2024	Door Extrusion Center Vertical (National G.F.)	0 to 1
123	150-2026	Door Extrusion Left Hand And Right Hand Vertical	0 to 1
124	160-2022	Door Extrusion Left Hand And Right Hand Vertical (National G.F.)	0 to 1
125	150-2024	Door Extrusion Lower Horizontal	0 to 2
126	160-2025	Door Extrusion Center Horizontal (National G.F.)	0 to 2
127	150-2027	Door Extrusion Top And Bottom Horizontal	0 to 3
128	160-2023	Door Extrusion Top And Bottom Horizontal (National G.F.)	0 to 2
129	150-2023	Door Frame Sides 69"	0 to 2
130	150-2022	Door Frame Sides 72"	0 to 2
131	160-2020	Door Frame Sides (National G.F.)	0 to 2
132	150-2021	Door Frame Ends	0 to 2
133	160-2021	Door Frame Ends (National G.F.)	0 to 2
134	150-8250	T-Screw (3/8)	29
135	150-4362	Clip T Screw	52
136	150-8251	T-Screw (5/8)	23
137	001-8102	Name Plate	1
138	S40C620-6	Screw 6-20 x 3/8	52
139	160-3034	Handle (National G.F.)	0 to 2
140	S40C620-3	Screw 6-20 x 3/16	0 to 4

Figure 20 — DOOR ASSEMBLY — DELUXE — ALL MODELS

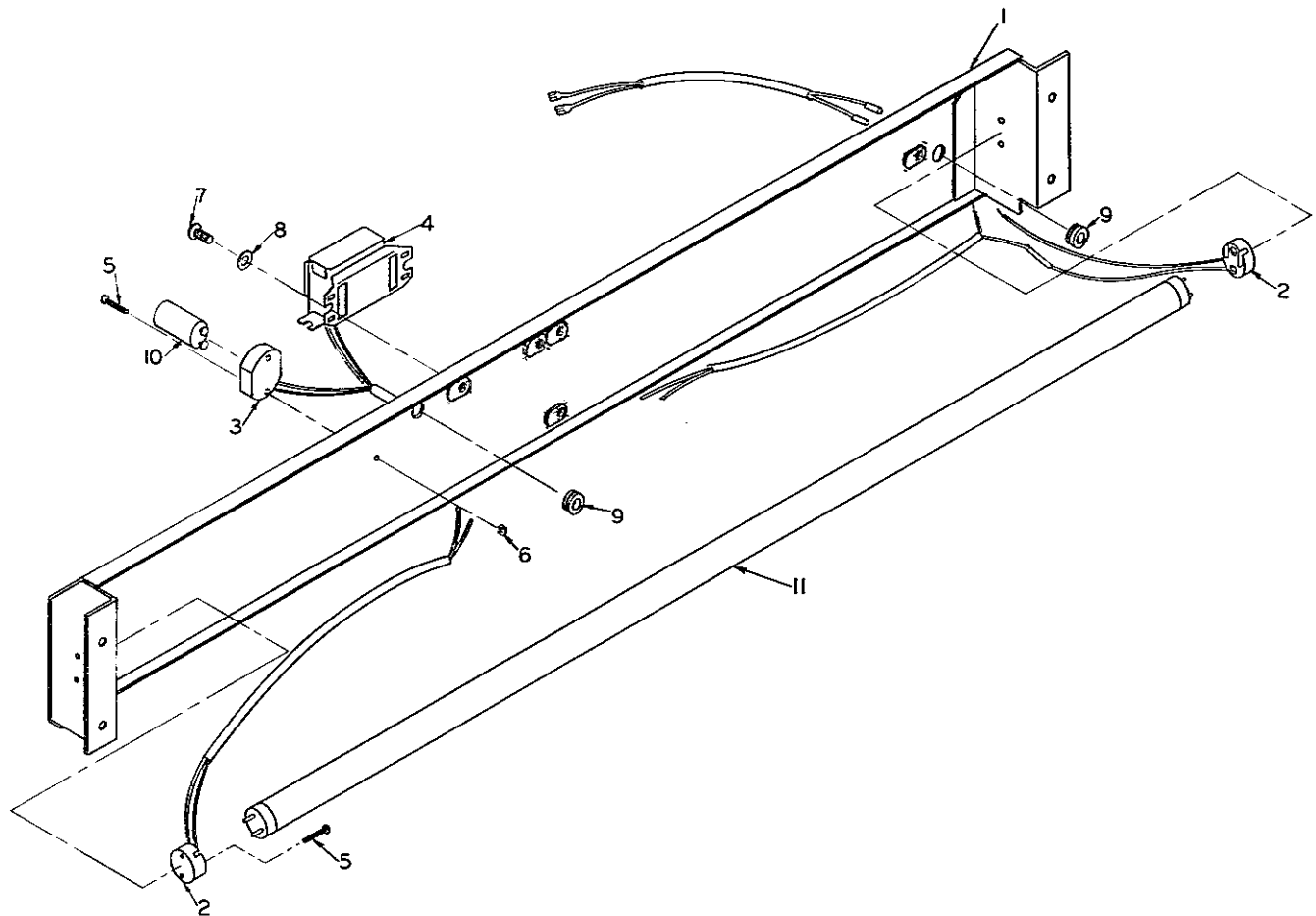


Figure 21 — TOP LIGHT ASSEMBLY

INDEX NO.	PART NO.	DESCRIPTION	QTY. PER ASSEM.
1	160-5042	Top Light Cover Weldment	1
2	001-8029	Lamp Holder	2
3	001-8028	Starter Socket	1
4	150-8024	Ballast 25 Watt	1
5	S10C440-8	Screw 4-40 x 1/2	6
6	N20C440	Nut And Lock Washer 4-40	2
7	S20C832-5	Screw And Lock Washer 8-32 x 5/16	2
8	W10C8	Washer 8	2
9	001-8021	Grommet	2
10	001-8101	Starter FS25	1
11	150-8023	Fluorescent Lamp	1

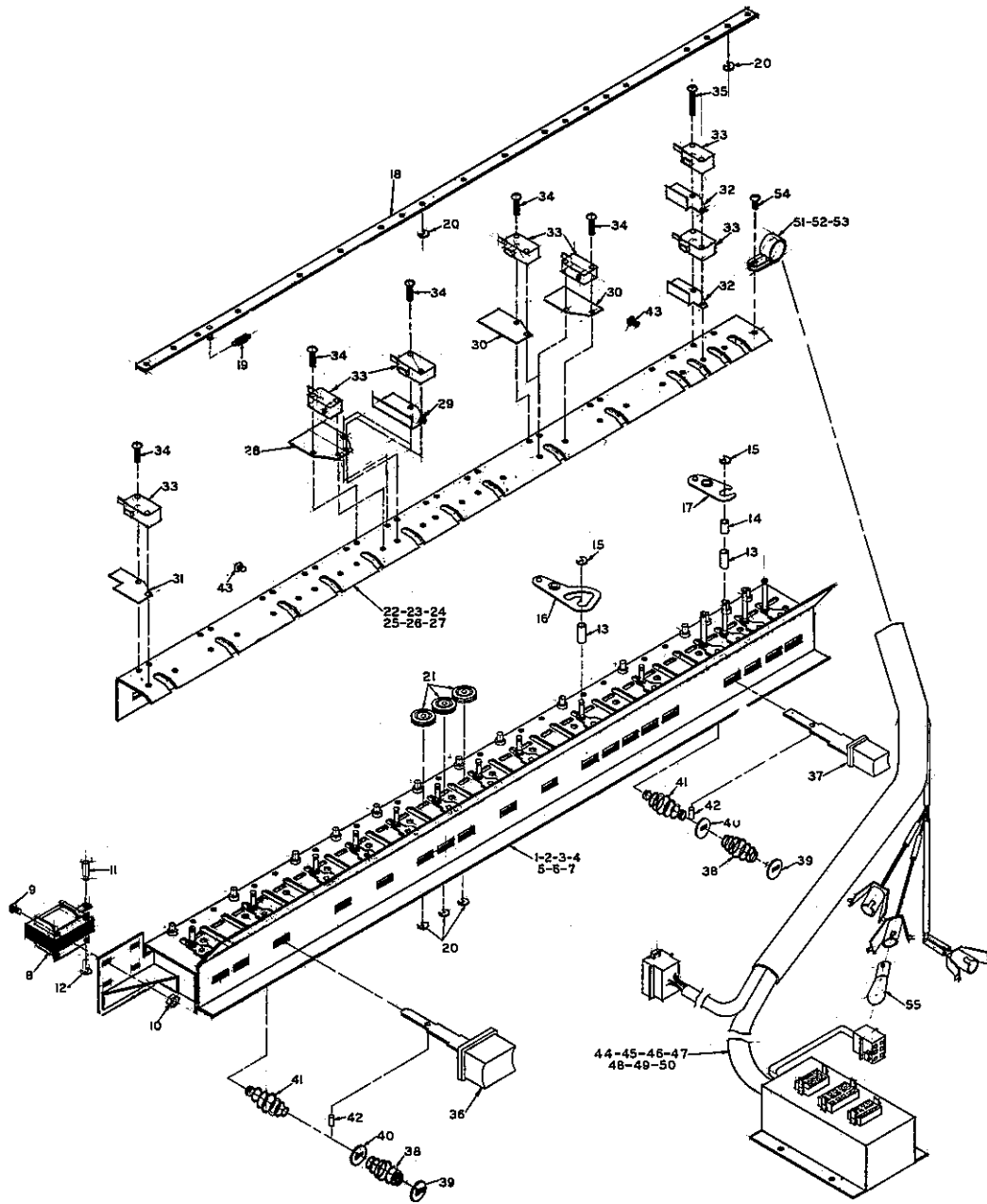


Figure 22 — SELECTOR ASSEMBLY — ALL MODELS

INDEX NO.	PART NO.	DESCRIPTION	160	161	162	163	164	165	166
1	160-5032	Selector Weld And Rivet Assembly	1	0	0	0	0	0	0
2	161-5032	Selector Weld And Rivet Assembly	0	1	0	0	0	0	0
3	162-5032	Selector Weld And Rivet Assembly	0	0	1	0	0	0	0
4	163-5032	Selector Weld And Rivet Assembly	0	0	0	1	0	0	0
5	164-5032	Selector Weld And Rivet Assembly	0	0	0	0	1	0	0

Lektro Vend

INDEX NO.	PART NO.	DESCRIPTION	160	161	162	163	164	165	166
6	165-5032	Selector Weld And Rivet Assembly	0	0	0	0	0	1	0
7	166-5032	Selector Weld And Rivet Assembly	0	0	0	0	0	0	1
8	501-8000	Selector Solenoid	1	1	1	1	1	1	1
9	S10C632-5	Screw 6-32 x 5/16	4	4	4	4	4	4	4
10	N20C632	Nut And Lock Washer 6-32	4	4	4	4	4	4	4
11	501-6006	Solenoid Pin	1	1	1	1	1	1	1
12	R10K125	Retaining Ring 1/8	1	1	1	1	1	1	1
13	501-6001	Slide Roller	14	10	5	12	6	15	9
14	160-6001	Slide Roller - Selector	4	4	0	4	0	4	4
15	R10K156	Retaining Ring 5/32	14	10	5	12	6	15	9
16	160-5067	Locking Cam Assembly (Candy)	10	6	5	8	6	11	5
17	160-5068	Locking Cam Assembly (Mint)	4	4	0	4	0	4	4
18	160-5065	Lock Bar Assembly	1	1	1	1	1	1	1
19	501-7002	Extension Spring	1	1	1	1	1	1	1
20	R10K187	Retaining Ring 3/16	42	37	25	39	26	43	37
21	501-5007	Anti-Cheat Washer Assembly	28	27	20	27	20	28	28
22	160-5034	Switch Bracket — Rivet Assembly	1	0	0	0	0	0	0
23	161-5034	Switch Bracket — Rivet Assembly	0	1	0	0	1	0	0
24	162-5034	Switch Bracket — Rivet Assembly	0	0	1	0	0	0	0
25	163-5034	Switch Bracket — Rivet Assembly	0	0	0	1	0	0	0
26	165-5034	Switch Bracket — Rivet Assembly	0	0	0	0	0	1	0
27	166-5034	Switch Bracket — Rivet Assembly	0	0	0	0	0	0	1
28	501-9002	Switch Insulator	5	1	0	3	1	8	0
29	501-9003	Switch Insulator	5	1	0	3	1	8	0
30	501-9001	Switch Insulator	11	12	10	12	10	7	12
31	501-9004	Switch Insulator	1	0	0	0	0	1	0
32	400-9006	Switch Insulator	6	6	0	6	0	6	6
33	501-8001	V3 - Micro Switch	28	20	10	24	12	30	18
34	S10C440-9	Screw 4-40 x 9/16	40	24	20	32	24	52	20
35	S10C440-15	Screw 4-40 x 15/16	8	8	0	8	0	8	8
36	501-5008	Push Button Assembly	10	6	5	8	6	11	5
37	160-5066	Push Pin Assembly	4	4	0	4	0	4	4
38	501-7000	Compression Spring	14	10	5	12	6	15	9
39	501-4013	Push Pin Washer	14	10	5	12	6	15	9
40	501-4012	Push Pin Washer	14	10	5	12	6	15	9
41	501-7001	Compression Spring	14	10	5	12	6	15	9
42	501-6009	Push Pin Retaining Pin	14	10	5	12	6	15	9
43	S20C832-4	Screw And Lock Washer 8-32 x 1/4	4	4	4	4	4	4	4
44	160-5033	Selector Wiring Harness	1	0	0	0	0	0	0
45	161-5033	Selector Wiring Harness	0	1	0	0	0	0	0
46	162-5033	Selector Wiring Harness	0	0	1	0	0	0	0
47	163-5033	Selector Wiring Harness	0	0	0	1	0	0	0
48	164-5033	Selector Wiring Harness	0	0	0	0	1	0	0
49	165-5033	Selector Wiring Harness	0	0	0	0	0	1	0
50	166-5033	Selector Wiring Harness	0	0	0	0	0	0	1
51	001-8019	Wire Clamp 7/8	1	1	0	0	0	1	1
52	001-8017	Wire Clamp 1/2	0	0	1	0	1	0	0
53	001-8018	Wire Clamp 5/8	0	0	0	1	0	0	0
54	S41C832-5	Screw 8-32 x 5/16	1	1	1	1	1	1	1
55	001-8035	Incandescent Lamp 6 Watts	3	3	1	3	1	3	3

Figure 22 — SELECTOR ASSEMBLY — ALL MODELS

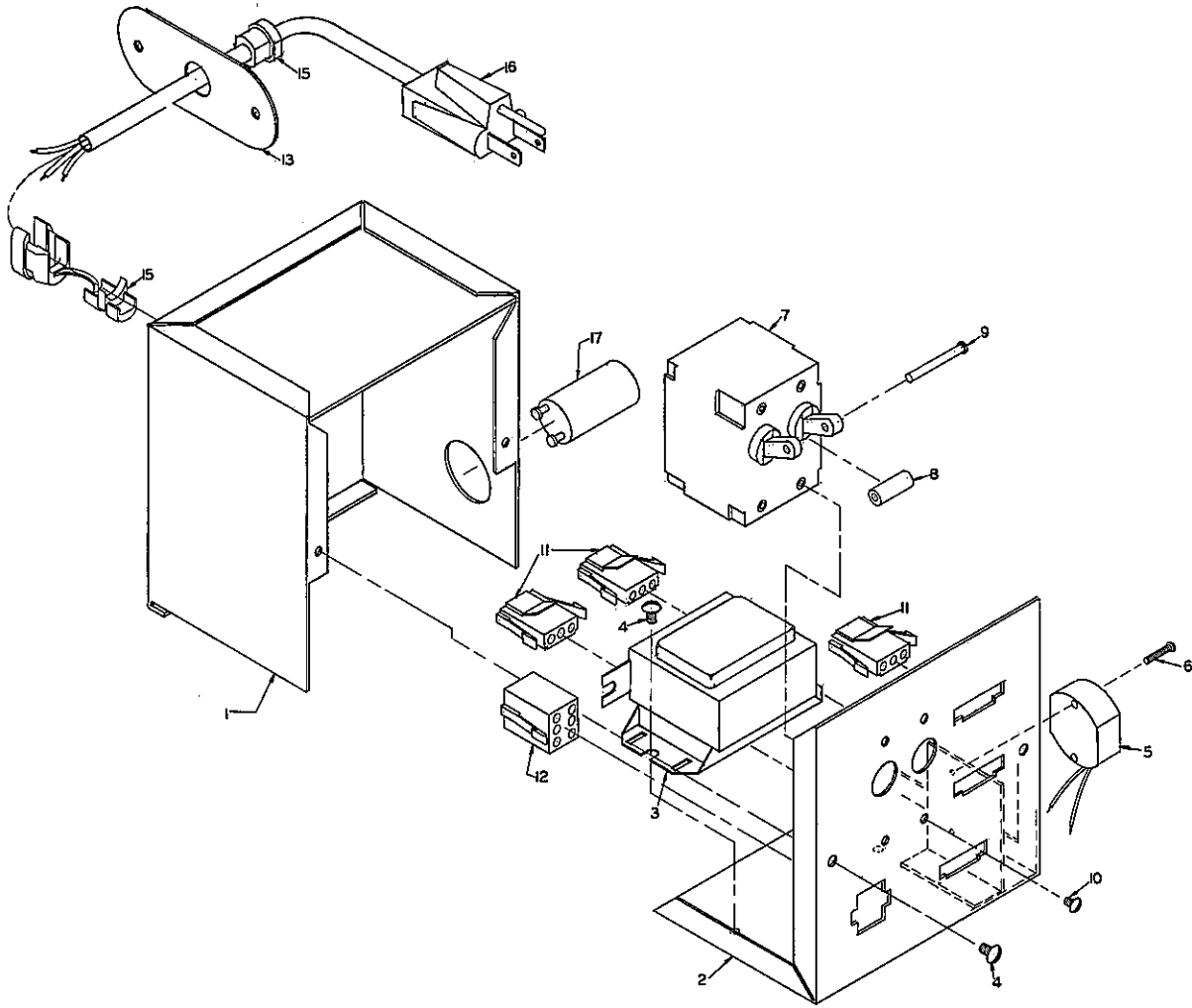


Figure 23 — JUNCTION BOX ASSEMBLY

INDEX NO.	PART NO.	DESCRIPTION	QTY. PER ASSEM.
1	160-5161	Junction Box Weldment	1
2	160-5162	Junction Box Cover Weldment	1
3	001-8079	Ballast 19 Watt	1
4	S20C832-4	Screw And Lock Washer 8-32 x 1/4	4
5	001-8028	Starter Socket	1
6	S10C440-6	Screw 4-40 x 3/8	2
7	160-8005	Circuit Breaker (5 - Amps)	1
8	160-8006	Spacer - Support	1
9	160-8007	Pin - Support	1
10	S20C632-3	Screw And Lock Washer 6-32 x 3/16	4
11	104-8002	Socket Housing (3 Circuit)	3
12	150-8021	Socket Housing (6 Circuit)	1
13	160-4099	Power Cord Plate	1
14	001-8081	Strain Relief	2
15	001-8080	Power Cord	1